

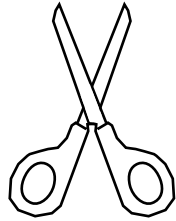
LOOP ACCESS 1
ASSEMBLY
INSTRUCTIONS

TOOLS REQUIRED

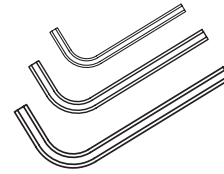


THREE PERSONS

EACH CAPABLE OF LIFTING 50LBS

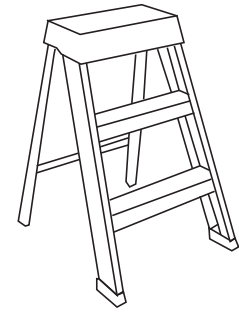


SCISSORS / SNIPS

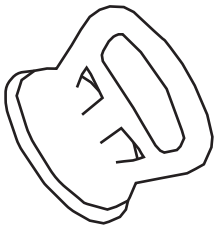


ALLEN KEY SET

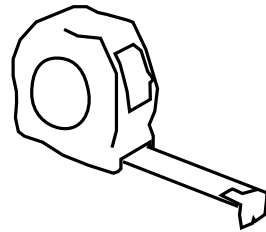
PREFERABLY BALL-TIP



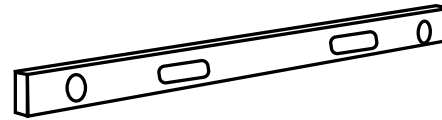
STEP LADDER



SUCTION-GRIP HANDLE FOR GLASS



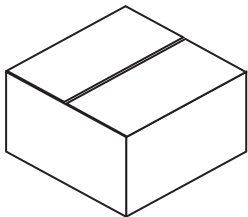
MEASURING TAPE



LARGE LEVEL



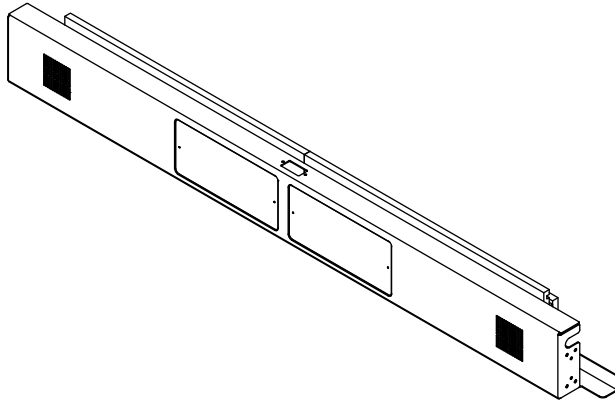
MULTI-BIT SCREWDRIVER



HARDWARE & ADDITIONAL
COMPONENTS PACKAGE

STEP 1

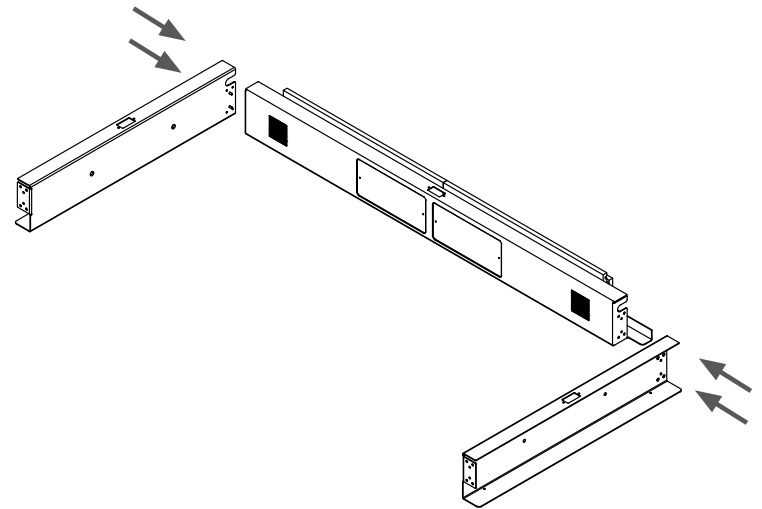
Using two people, position the Rear Frame member in the approximate location you have chosen for your Loop Access.



STEP 2

Attach the Right and Left Frame members to either side of the Rear Frame member using provided 1/4-20 x 3/4" FH bolts.

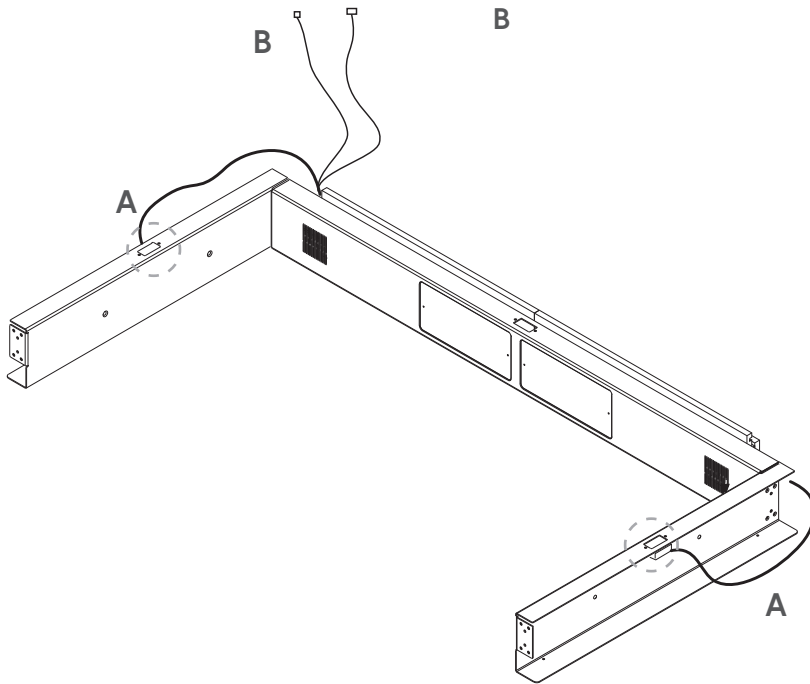
**At this time, ensure adjustable feet are engaged enough into the metal frame that the 3/4" "D" profile on the base of the metal makes full contact with the ground, creating a seal. Or have the feet floating the distance as the gap. The weight of the sides will seal this gap.



STEP 3

With the Side Frame members securely attached, unravel the left and right power receptacle assemblies (A) and install in circled locations using the already attached #6-32 FH bolts to mount receptacles to side frames.

Unravel electrical connections (B) along left side frame, these will connect to the side module as it is being installed. Affix provided cable management on each side frame on underside of top flange and secure wiring snug to face, feeding excess back into rear frame. Wiring must be tucked up tight to face to ensure it does not interfere with installation of side modules.



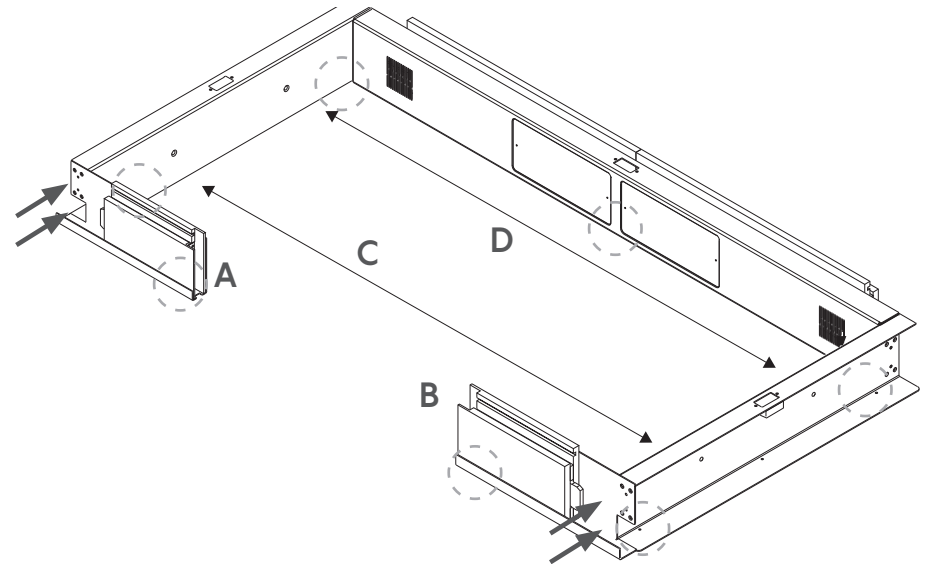
STEP 4

Attach the Right and Left Front Frame members using provided 1/4-20 x 3/4" FH bolts. Once they are securely attached, move the frame assembly into the final location, ensuring a minimum 1' of space from any permanent structure.

When in place, adjust levelling feet in the circled locations to ensure that the bubble rubber on the bottom of the metal base fully engages with floor to create seal. Or have the feet floating matching the gap between the floor and bubble rubber.

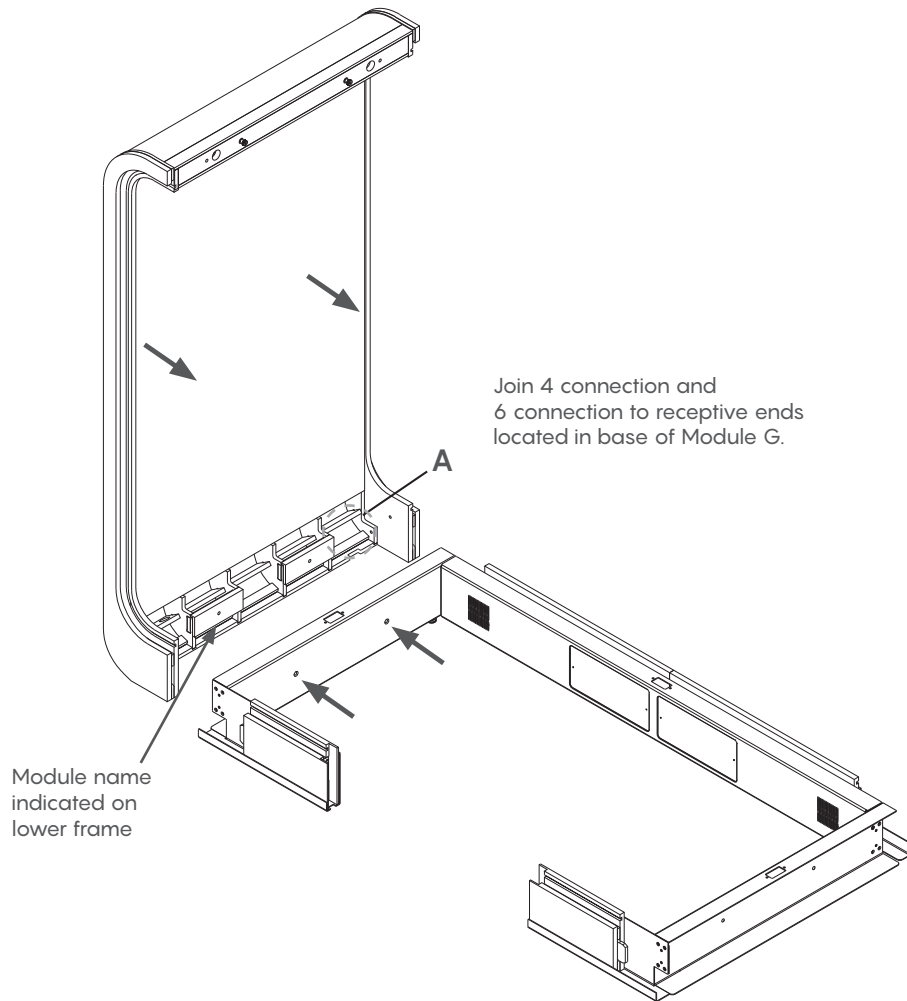
Make use of large level to ensure accuracy from back to front and across point A to point B for ease of door installation. At this point, ensure side frames are square by measuring forward span (C) and rear span (D). Adjust placement of front frames to ensure forward span is identical to rear span (approximately 81 1/2").

Fill the gaps on the bottom of the bases in the four corners with provided 3/4 "D" profile bubble rubber to ensure a complete seal on the bottom.



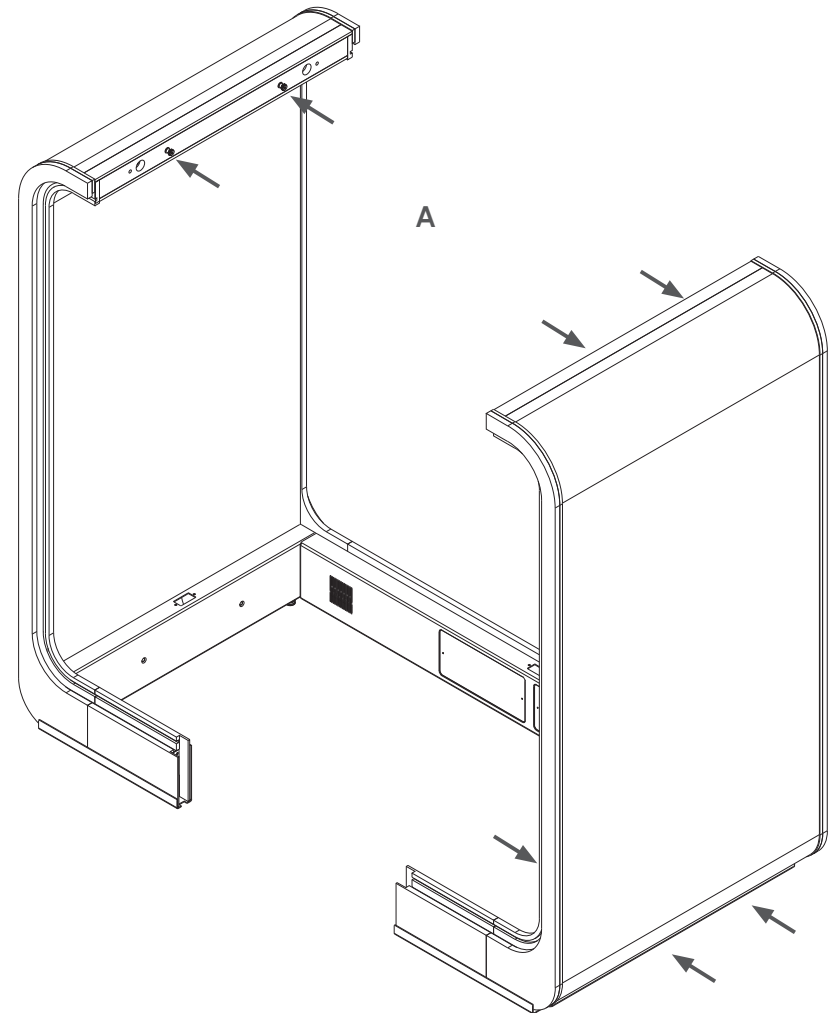
STEP 5

Find Module G (seen below). Using two people, guide Module G toward the base frame. Before slotting into place, connect electrical in indicated area (A), then slide side securely into alignment. While the side is held in place, a third individual will bolt through base frame to Module G using 3/8 x 1 1/4" FH bolts.



STEP 6

Repeat STEP 5 with Module I, noting that there is no electrical connection for this side. Once sides are bolted in place, install provided 3/8" shoulder bolts in two most central holes of top face on each side module (A).



STEP 7

Using two persons, lift Module H up and over installed shoulder bolts and gently drop into place (A). **Ensure Module H is installed correctly (refer to Diagram 1). Opening for hydraulic closer or bracket for electronic closer will be located on the front of the booth. ** Third person should be available to gently push/align sides so the module can easily drop into place.

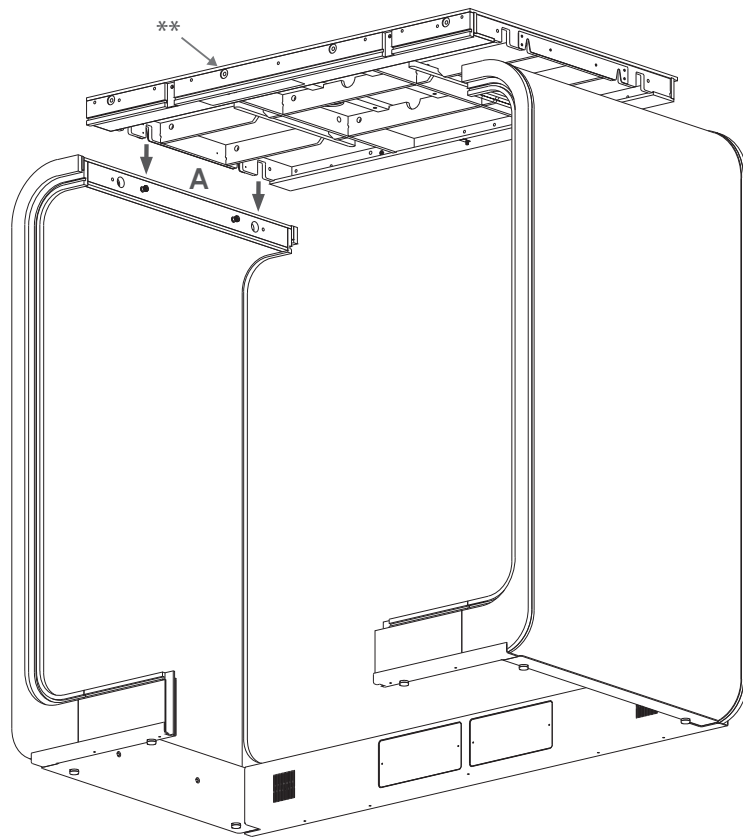
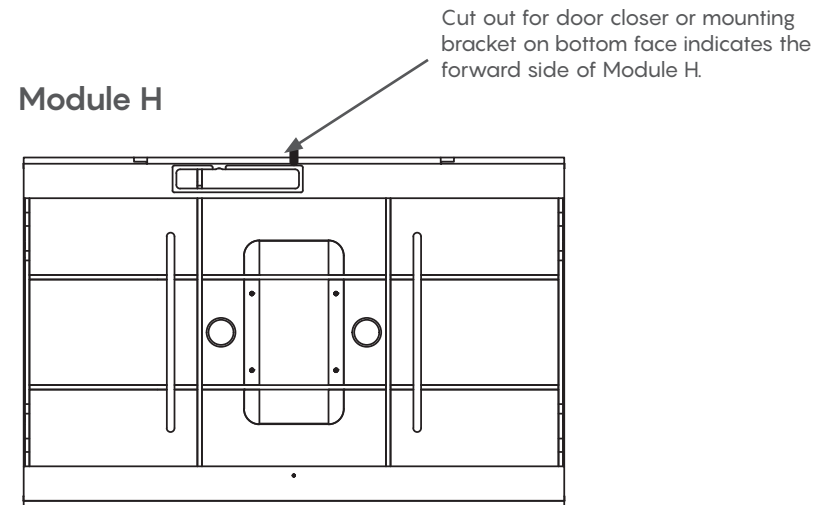
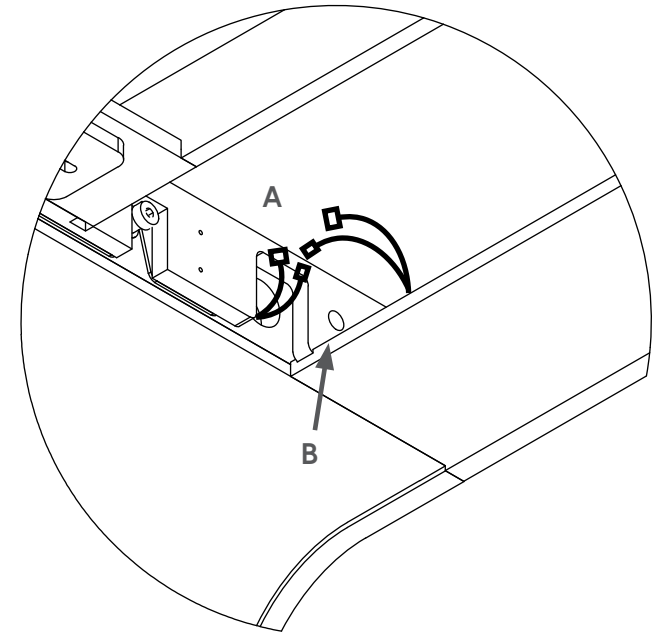
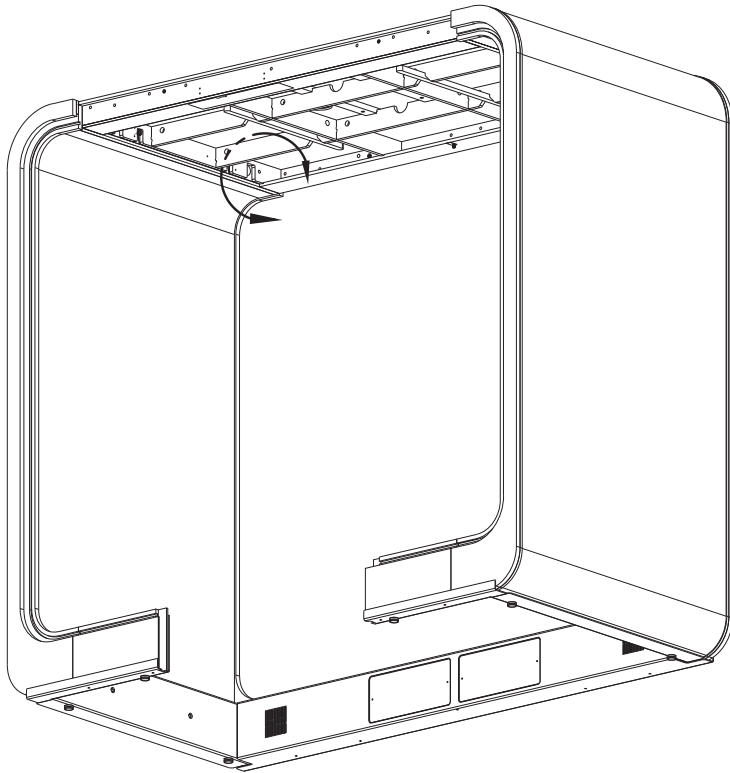


Diagram 1



STEP 8

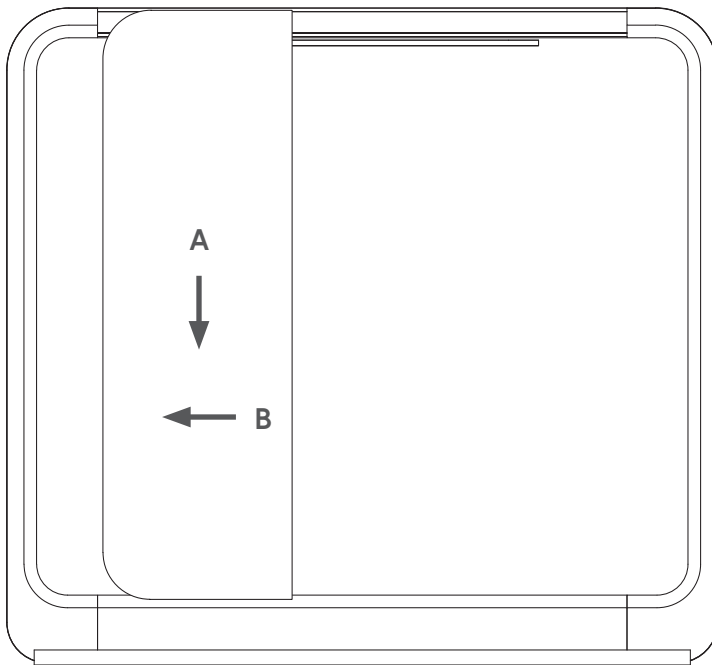
With Module H in place, make electrical connections on rear left side of Module G (A). Insert and securely tighten 3/8" x 2" BH bolts in front and back locations on each side (B).



STEP 9

Install Side glass in the rear face of the Loop Access. Drop it gently in the bottom track (A) then shift it tight to the side using a suction grip glass handler (B). Repeat for opposite side.

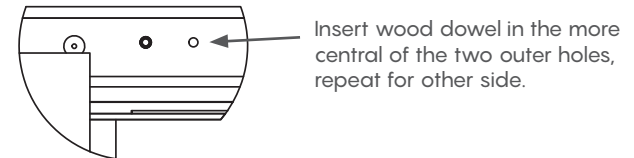
note that if your booth has an electronic closer, one piece of side glass will have an applique. This piece of side glass must be installed on the right side of the door opening



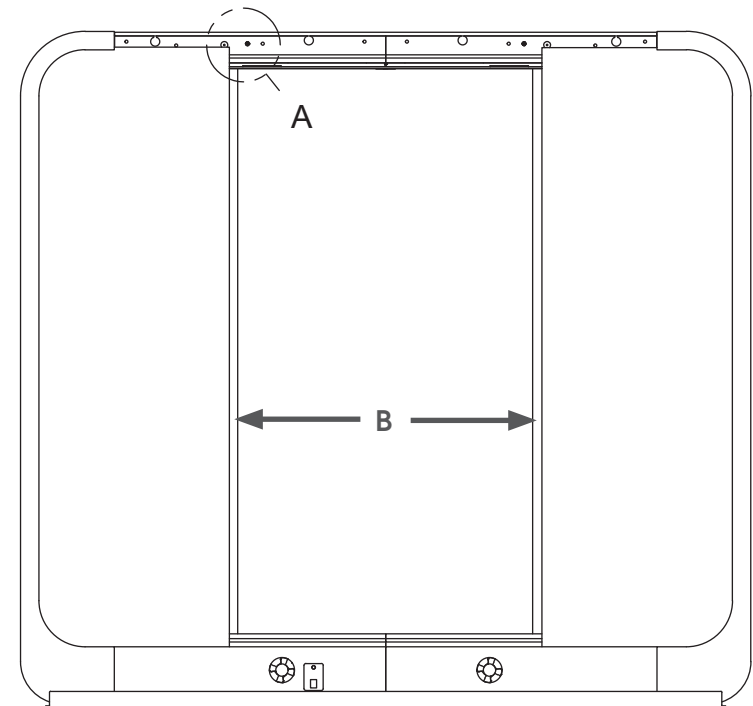
REAR FACE

STEP 10

Prepare to install rear glass by inserting provided wooden dowel in holes indicated by Detail A until no more than 1/2" is exposed. Apply the two provided lengths of clear H-track with adhesive to inner edge of each piece of side glass (B), note that you may need to trim excess length.



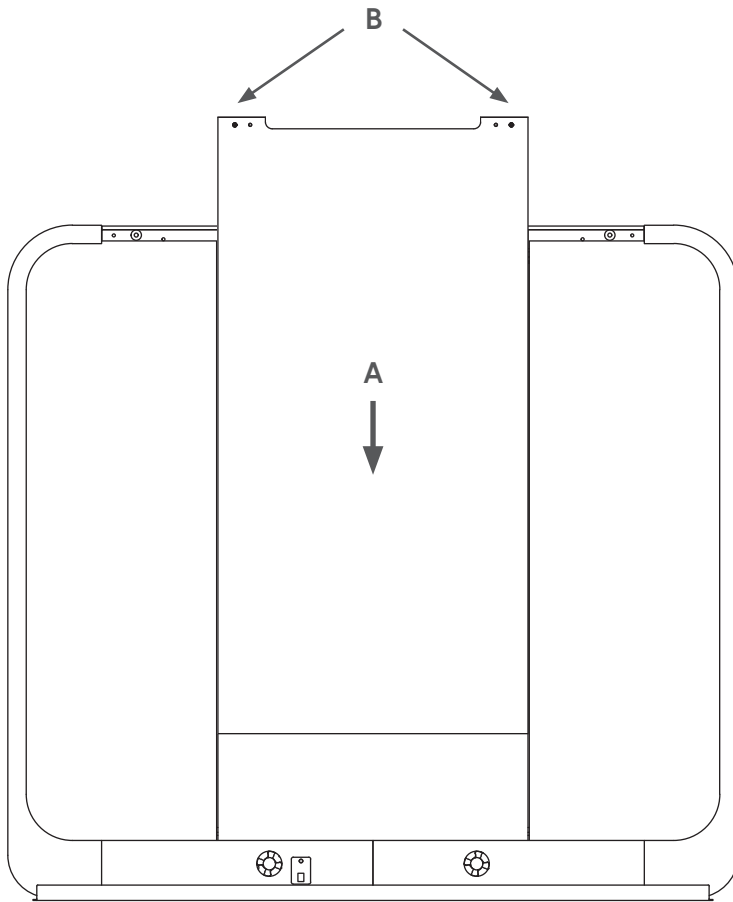
DETAIL A



REAR FACE

STEP 11

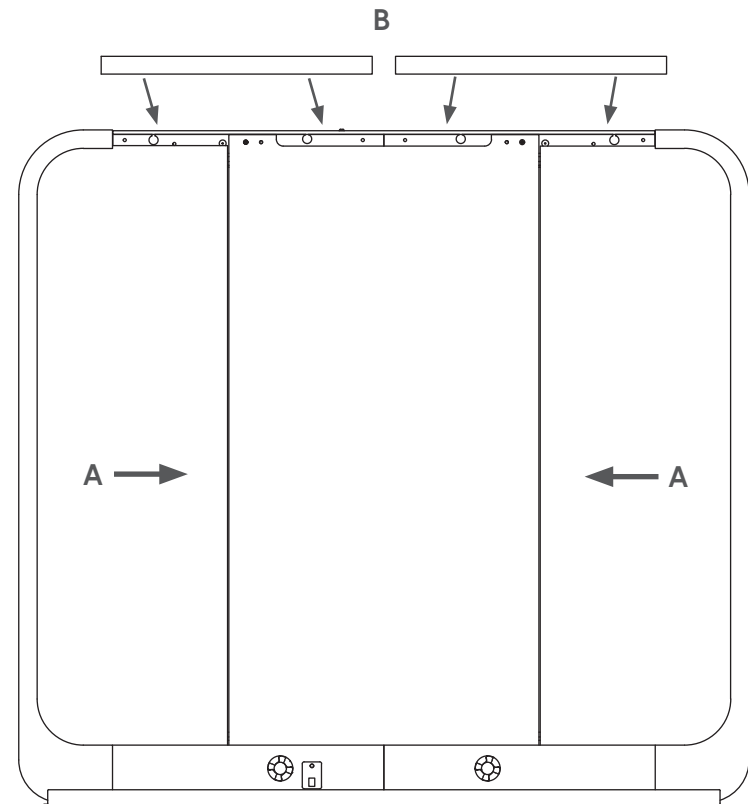
Ensuring both side pieces of glass are snug to the outer edges, use two people to gently install the Rear Central glass piece (A). Check alignment with bolt hole and wooden dowel. Secure glass in place using provided plastic washers and 3/8" x 2" BH bolts (B).



REAR FACE

STEP 12

Using a suction grip glass handler, shift both side pieces of glass tight up against the central piece to engage a proper seal (A). Retrieve Top Back Cap and clip in place (B) by aligning clips and pressing downward until fully engaged.



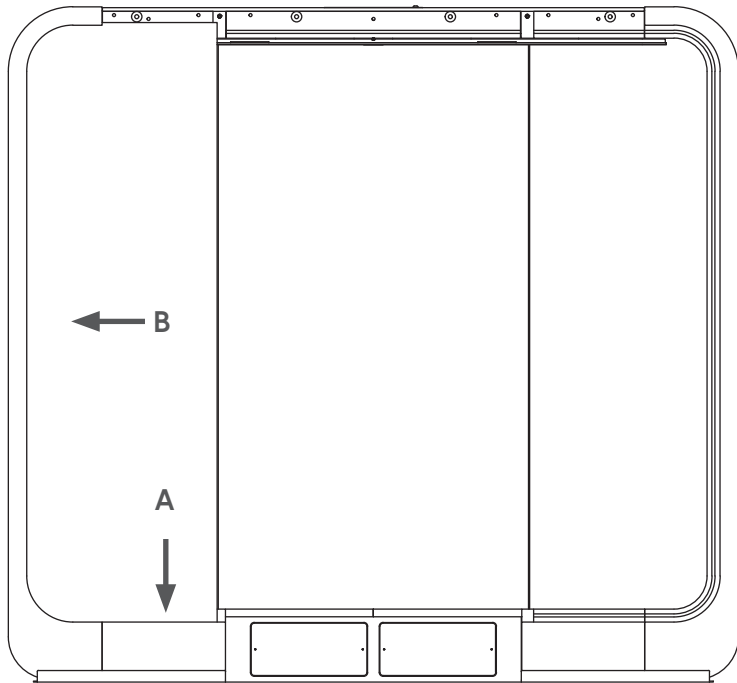
REAR FACE

STEP 13

Install Side Glass in front face by placing in track (A) then slide gently into side (B) using suction grip glass handler. Glass must be fully inserted into side to enable installation of door extrusion. Repeat for glass on other side.

note that if your booth has an electronic closer, one piece of side glass will have an applique. This piece of side glass must be installed on the right side of the door opening with the vinyl on the exterior surface

Apply provided "C" shaped door seal to edges of side glass.

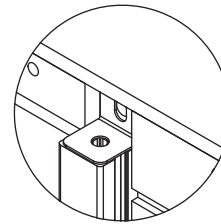


FRONT FACE

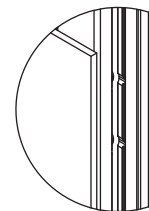
STEP 14

Install provided extrusion assemblies. **Assembly with hinge is installed on the left side of the door opening**. Secure each extrusion to the top of the booth using provided $3/8 \times 1$ " BH bolt (Detail A). Secure each extrusion to the base using provided $1/4 \times 20 \times 1 3/4$ " BH bolts (Detail B). You will need to gently peel back installed seal to access these bottom bolt holes. Once bolted, replace seal without stretching it and ensure seal reaches to ground then trim any excess.

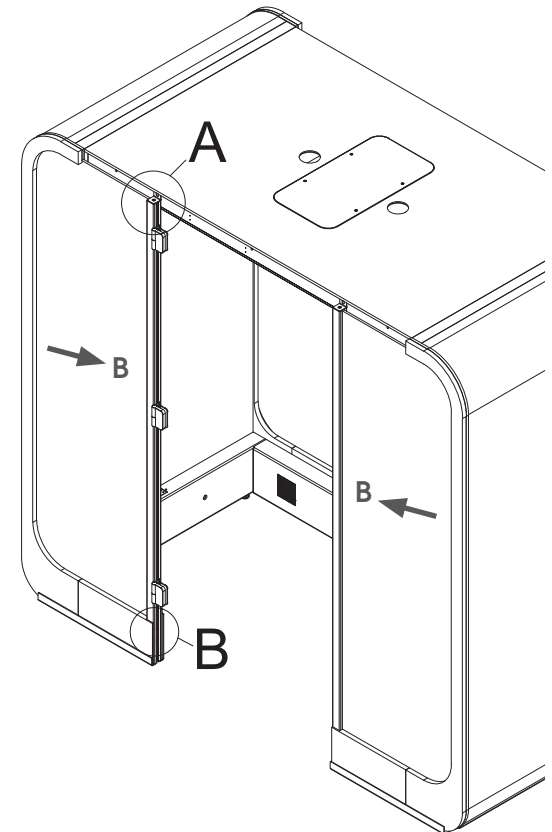
Push the side glass towards the center, into the extrusion slot, ensuring a tight seal between door seal and extrusion metal.



DETAIL A

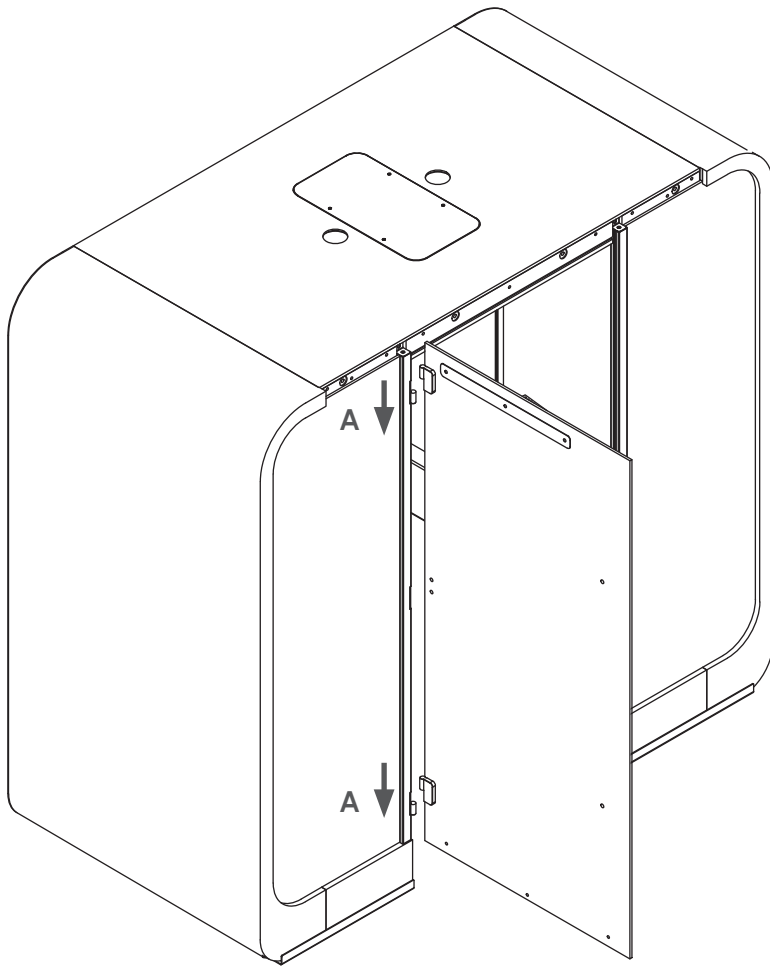


DETAIL B



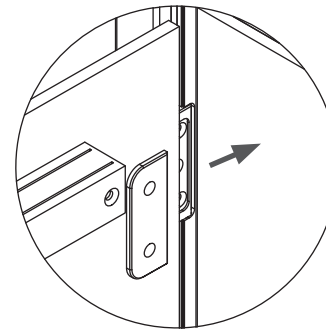
STEP 15

Retrieve door from packaging. Align affixed hinges on glass with other half affixed to extrusion and gently lower onto pins (A). If you find you are having trouble aligning, ensure sections attached to the extrusion are set fully toward front. If still having trouble, you may loosen hinges attached to glass and align them closer to edge of glass for additional space to make the alignment. This spacing will be corrected in the next step.

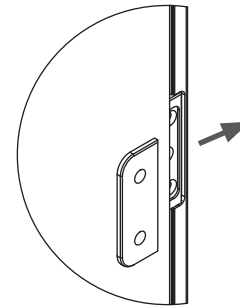


STEP 16

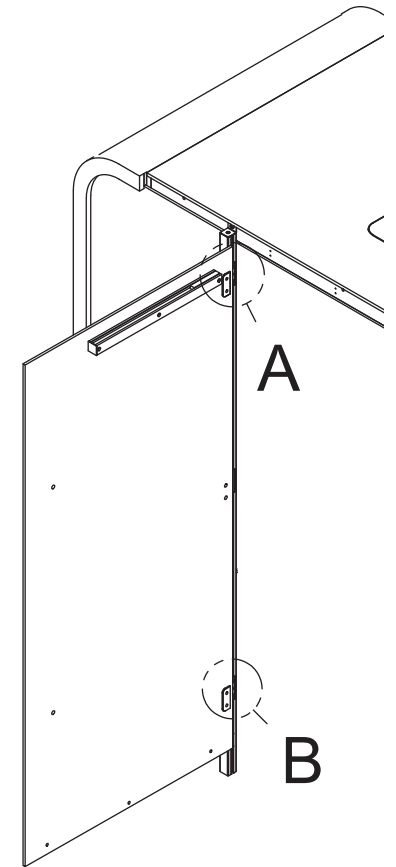
With door set on hinges, loosen bolts securing top hinge to extrusion and push hinge tight into booth (Detail A). Securely refasten bolts into extrusion and then repeat for lower hinge (Detail B).



DETAIL A

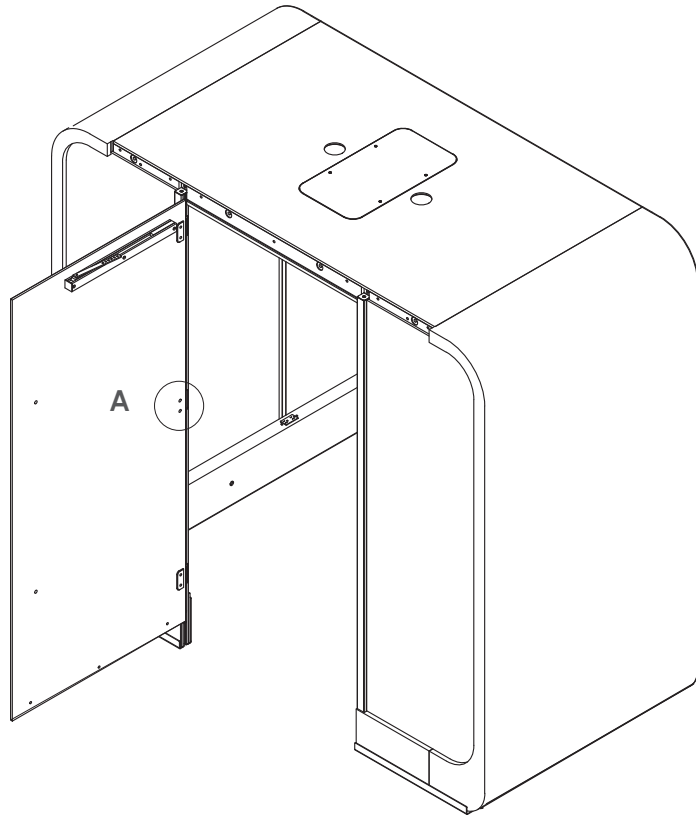


DETAIL B



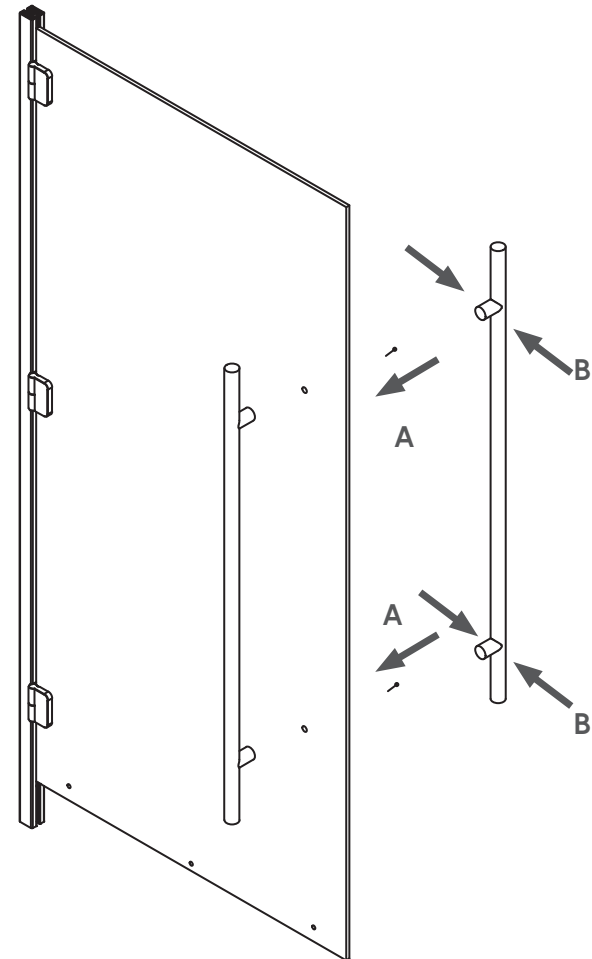
STEP 17

With door still "open", loosely bolt third hinge to extrusion using pre-installed insert nuts (A). These can be slid along extrusion to position. Align with holes in glass and securely bolt to door. You may now securely bolt hinge to the extrusion. With all three hinges secured, apply bolt covers and use excess bubble rubber on bolt covers to complete gaps in the bubble seal.



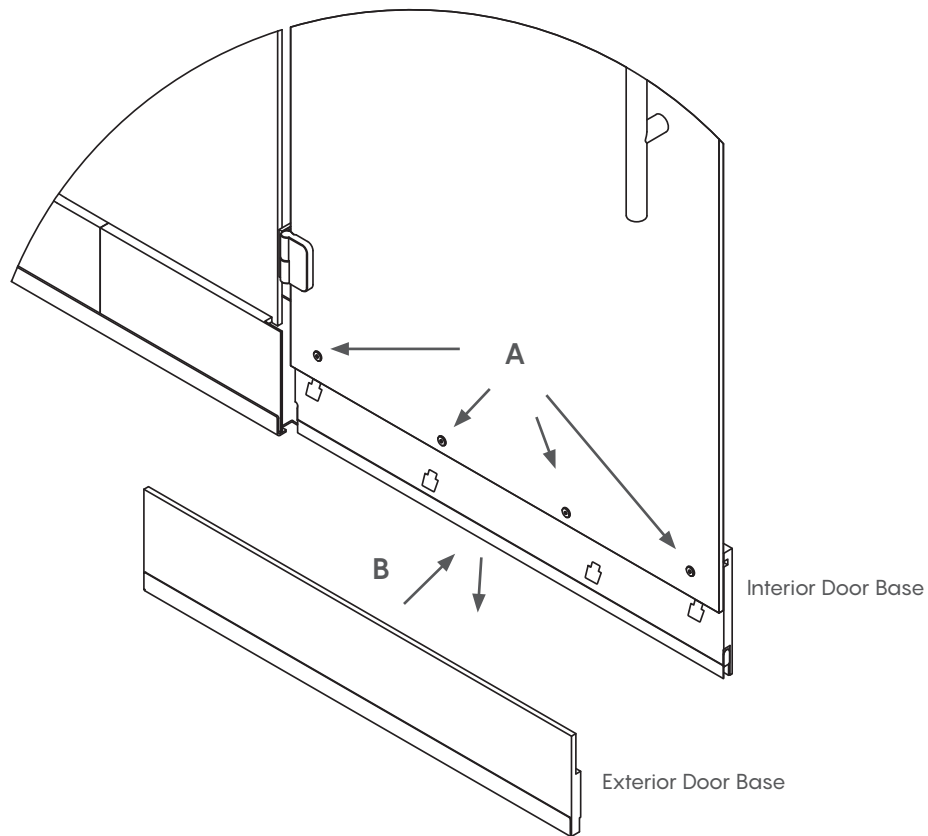
STEP 18

Mount door handle. Affix the first half of the handle, bolting from the inside face of the door (A). Then place second half of handle and tightly secure set screws on either side of handle (B).



STEP 19

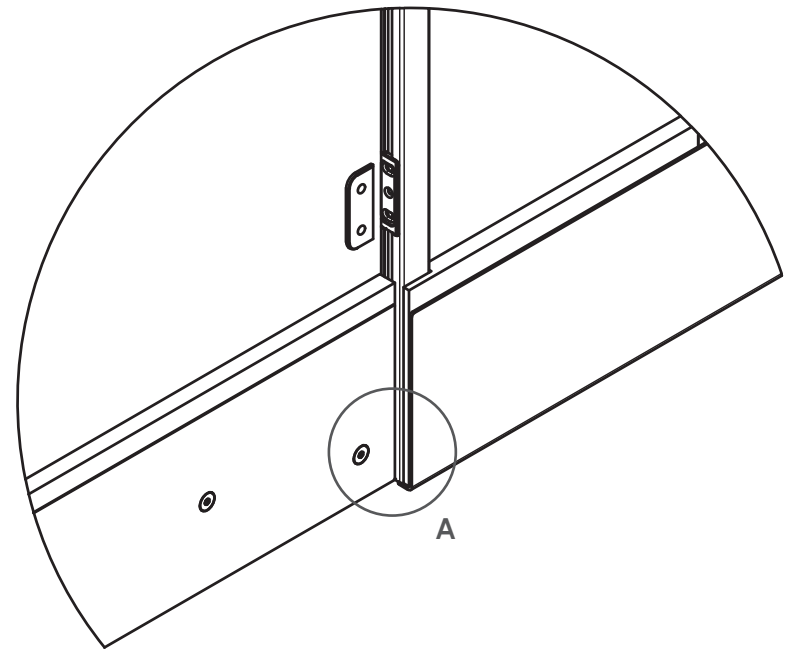
Mount Interior door base assembly to interior face of glass door in four locations (A) using provided furniture bolts and plastic washers. With the interior assembly firmly bolted to glass, mount the exterior door base (B). Align clips and press exterior door base downward until clips engage fully.



STEP 20

While inside booth, find drop seal trigger located in right edge of door base assembly (A). Close door and ensure trigger aligns with trigger plate which is mounted in the extrusion under the seal. If they do not align, loosen the trigger plate slightly adjust and then retighten.

Close door fully. If trigger does not fully engage to drop seal, use allen key on trigger to extend outward a half-turn at a time. Be sure not to extend the trigger any further than necessary to engage the seal.



STEP 21

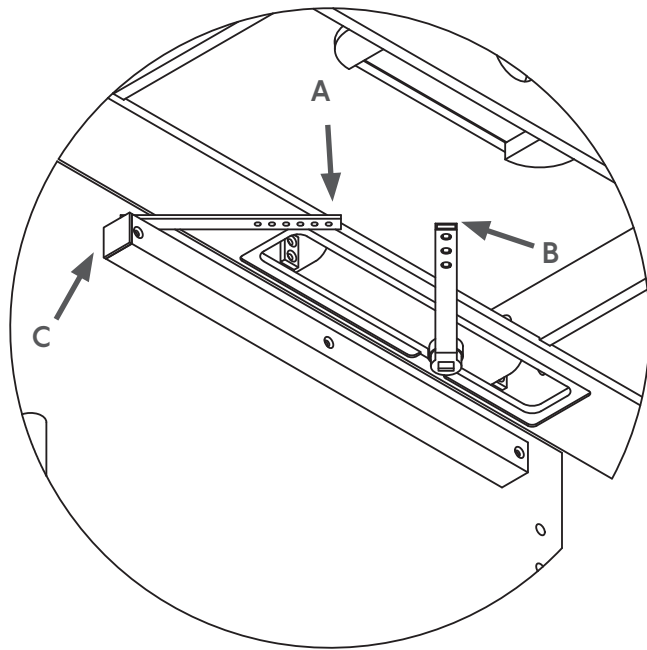
** Proceed to step 23 if installing
Access with Electronic Door opener

Connect hydraulic door closer. Find and unscrew set screw from slider arm (A). Push door outward and pivot arm sleeve (B) mounted to hydraulics outward (will have a degree of resistance). Align arm on slider with sleeve and insert until the second hole in the arm aligns with the second hole in the sleeve (or any hole alignment close to this). Use set screw to affix arms in this position.

**Test mounting position by closing door fully while on interior. If the arm was not inserted into the sleeve deep enough the slider will hit the end of the track and pop it out of place (C)

**Test mounting position by opening door to 90 degrees. If the closer arm was installed too deeply into sleeve the door will stop before it is opened to 90 degrees.

Adjust position of set screw as required.

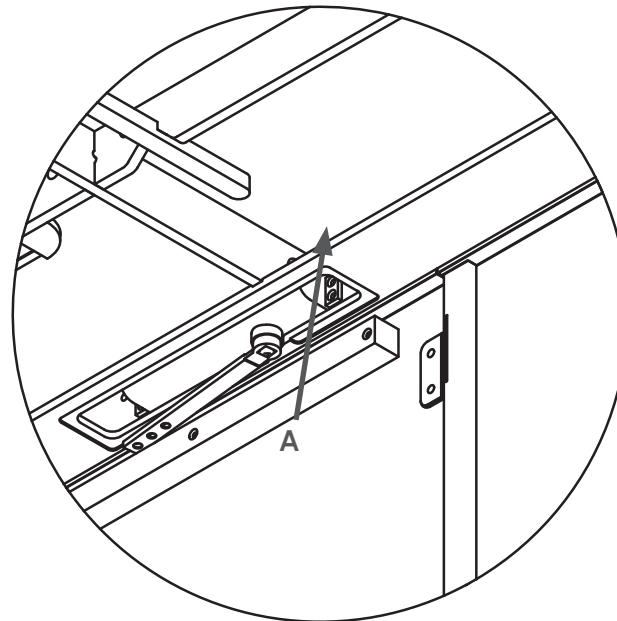
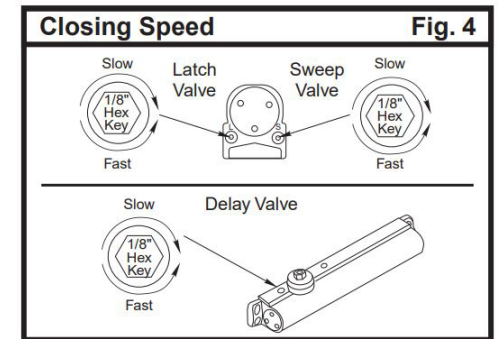


STEP 22

With door closer properly connected, open door fully and allow to close. Sweep speed should allow door to close at a comfortably slow rate with Latch speed kicking in at the last second to ensure door closes hard to engage the drop seal.

If sweep speed needs to be adjusted, remove closer cover and adjust speeds 1/4 turn at a time on the right side of the closer (A). Follow Fig.4 for directions.

**If experiencing any issues with the door closing, see fine tuning guide located at the end of the installation instructions.



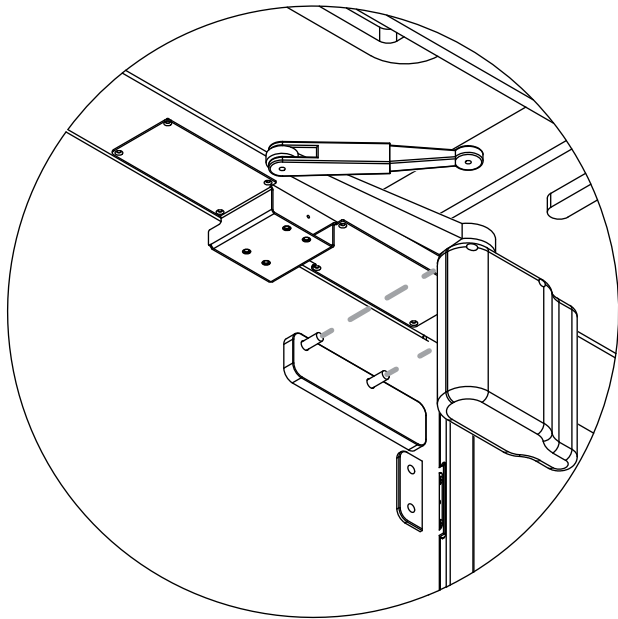
STEP 23

** Proceed to step 26 if installing
Access with Hydraulic Closer

Retrieve Norton 5800 ADAEZ closer and mount to pre-installed plate on door. Align closer with arm facing away from hinges and slide onto pins. Bolt in place using provided Hex socket screws.

Ensure closer is mounted tightly.

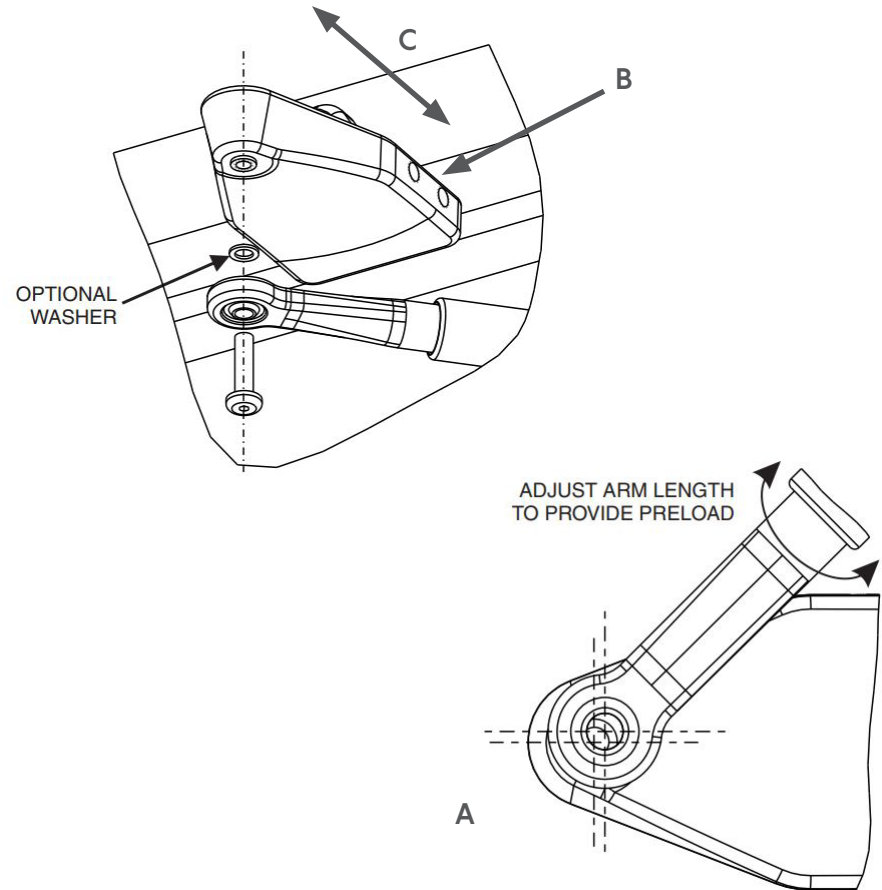
Doors come paired with two RF buttons, these should be mounted to glass centered on the black decal located on the side glass to the right of the door both outside and inside the booth.



STEP 24

Unscrew bolt from pre-mounted closer assembly on the top module and affix arm of closer. You will need to ensure that there is a pre-load applied prior to bolting, see diagram below for detail (A).

To achieve pre-load (an offset of approximately 1/2 the diameter of the bolt opening), you can rotate the arm to tighten or you may loosen set screws (B) and slide arm mount (C) to ideal position.



STEP 25

With closer mounted and buttons in place, switch closer on (located on bottom of main body). Closers come programmed with an approximate close and open position, this will likely need to be adjusted. Press an opener button and have door run through opening. If positions need to be adjusted, see below

Full instructions for the 5800 closer are inclosed in the shipment, if you require replacement instructions they may be found here:

<https://content.assaabloyusa.com/doc/AADSS1056718&.pdf>

**If experiencing any issues with the door closing, see fine tuning guide loated at the end of the installation instructions.

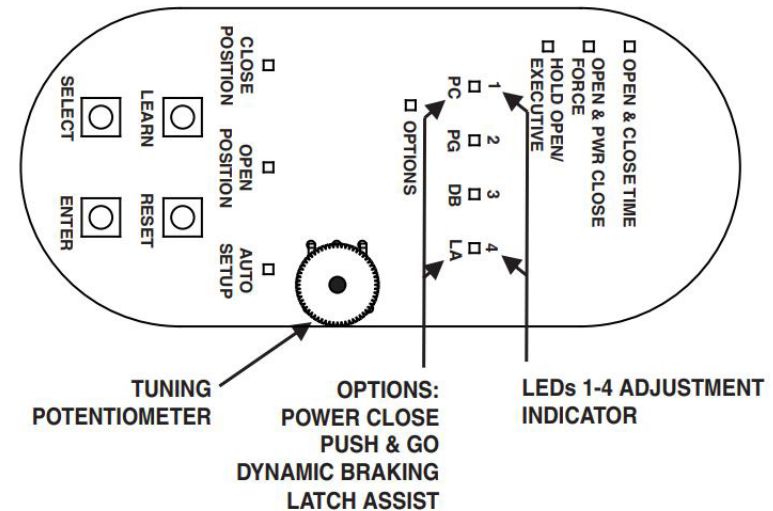


Figure 12

1. Refer to Figure 12 and, at the base of the setup board, PRESS and HOLD both "SELECT" and "ENTER" pushbuttons until LEDs 1 through 4 flash. The following shall occur:
 - The operator shall enter program mode.
 - The "CLOSE POSITION" LED shall illuminate red and remain lit.
2. With the door in the closed position, PRESS and RELEASE the "ENTER" pushbutton. The following shall occur:
 - The "CLOSE POSITION" LED shall flash green briefly.
 - The "OPEN POSITION" LED shall illuminate red.
3. With the door in the fully open position, PRESS and RELEASE the "ENTER" pushbutton. If the ENTER button is not accessible with the door in the fully open position, PRESS and RELEASE one of the activation pushbuttons. The following shall occur:
 - The "OPEN POSITION" LED shall flash green briefly.
 - The "AUTO SETUP" LED shall illuminate red.

4. With the door in the closed position, PRESS and RELEASE the "ENTER" pushbutton. The following shall occur:
 - The door shall rapidly open 30 to 45 degrees and then close.
 - The "AUTO SETUP" led shall illuminate green.
 - The Operator will exit programming mode.
5. If further door adjustments are desired or optional features will be enabled refer to Section 11, and PERFORM adjustments.
6. To reset the controller, PERFORM the following:
 - PRESS and HOLD the "ENTER" button,
 - While holding down the "ENTER" button PRESS and RELEASE the "RESET" button.
 - LEDs 1 through 4 shall flash green briefly

NOTE: Resetting the controller does not reset the RF transmitters.

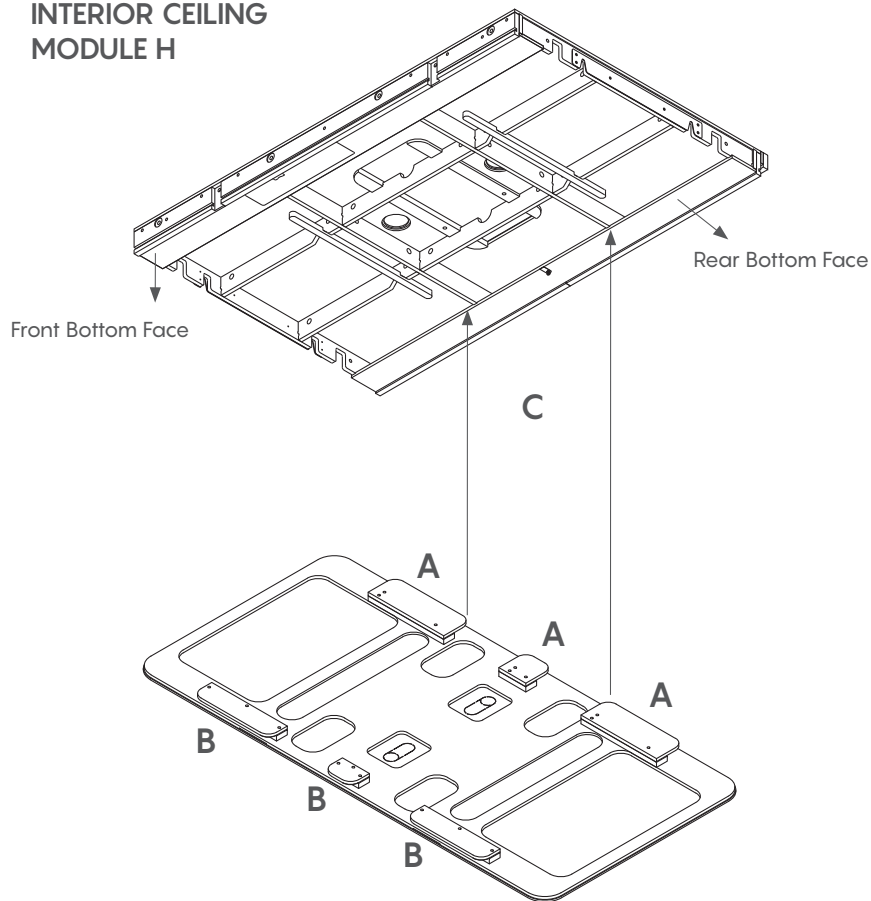
1. To link an RF switch with a door controller, PERFORM the following:
 - a. PRESS and HOLD the "LEARN" pushbutton on the controller until LEDs 1 through 4 flash green. The controller shall remain in the learn mode for 20 seconds or until the RF signal is received.
 - b. PUSH the RF pushbutton. CLOSE POSITION LED shall flash green indicating that the operator accepted this RF pushbutton.
 - c. REPEAT steps a. and b. as necessary for up to eight ADAEZ transmitters.
2. To remove all RF pushbuttons from memory, PERFORM the following:
 - a. While pressing and holding the "LEARN" pushbutton on the controller, PRESS and RELEASE the "RESET" pushbutton.

STEP 26

Using two people, install drop ceiling on Module H. Determine rear edge of drop ceiling by looking at the cleat catches. The rear catches are larger with a deeper recess and do not go past the edge of the drop ceiling body (A). The forward catches are shorter, have a shallow recess and protrude slightly past the drop ceiling body (B).

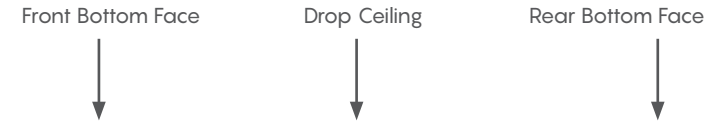
Outer catches should fit just outside the two central inner frames of Top Module (C). See Step 29 for further instruction.

INTERIOR CEILING MODULE H

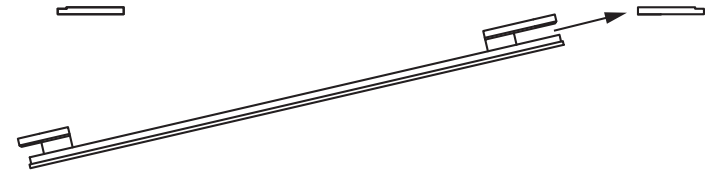


STEP 27

SIDE VIEW



1) Slide the drop ceiling onto the rear bottom face using the recess between the cleats and main body to "catch"



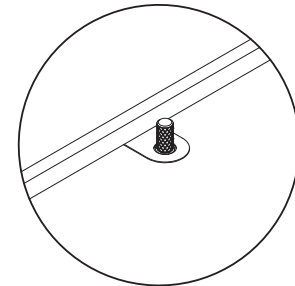
2) Gently angle the front of the drop ceiling upward as you fully engage the bottom face in the cleat recess.



3) Slide the drop ceiling forward until it stops, catching the front bottom face in the recess on the forward cleats



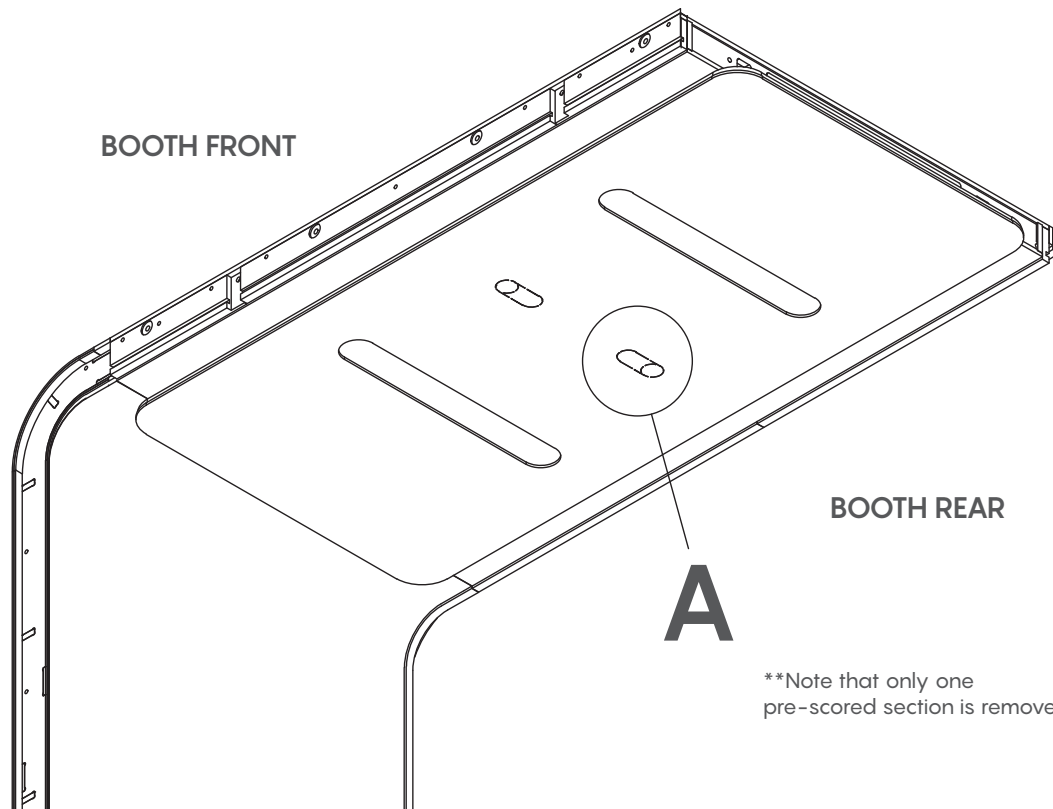
4) Lock the drop ceiling in place by installing provided thumbscrew hardware in the rear bottom face



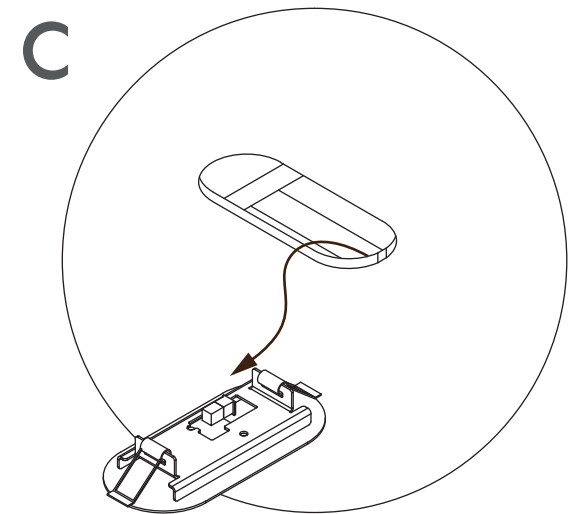
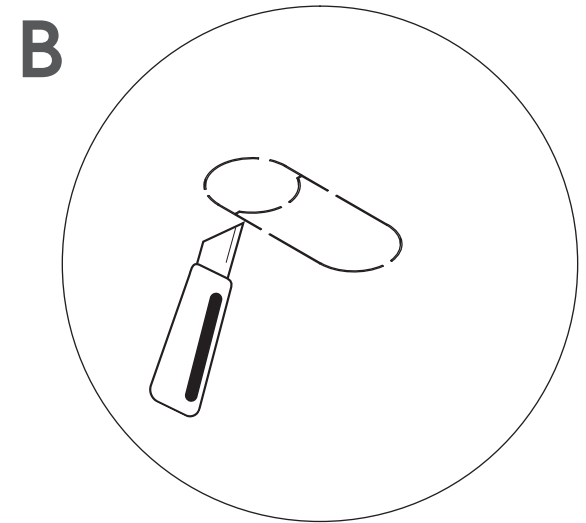
STEP 28

With the correct drop ceiling orientation confirmed and locked in place, prepare to connect the motion sensor. Using a sharp blade, find the pre-scored cutout indicated by (A)** and cut along the perimeter to remove a pill-shaped section of felt (B). NOTE that you may choose to place sensor in alternate cutout, but you must route wiring from the indicated opening to your desired opening. The drop ceiling will need to be removed to do so.

Reach into pill shaped opening, find electrical connection and pull free length through opening. Retrieve the sensor assembly from packaging and connect to the electrical connection, making sure it is plugged in in the correct orientation (C). Feed spring mounts through opening in felt to mount the sensor assembly securely over opening.



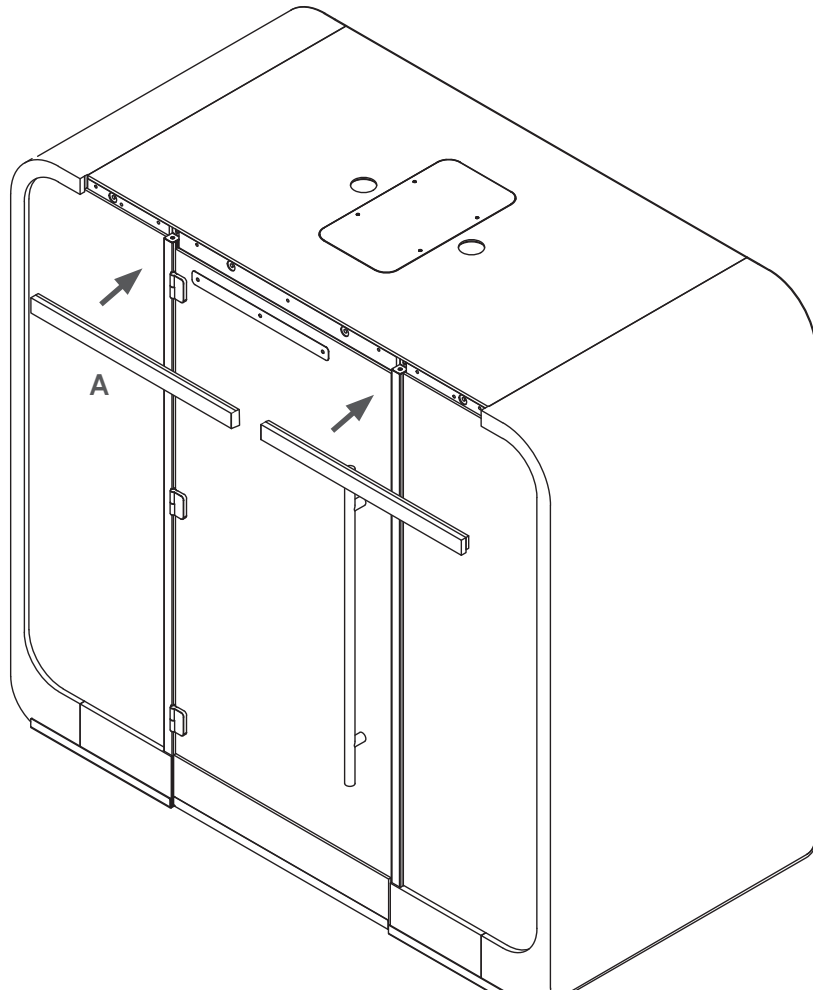
**Note that only one pre-scored section is removed.



STEP 29

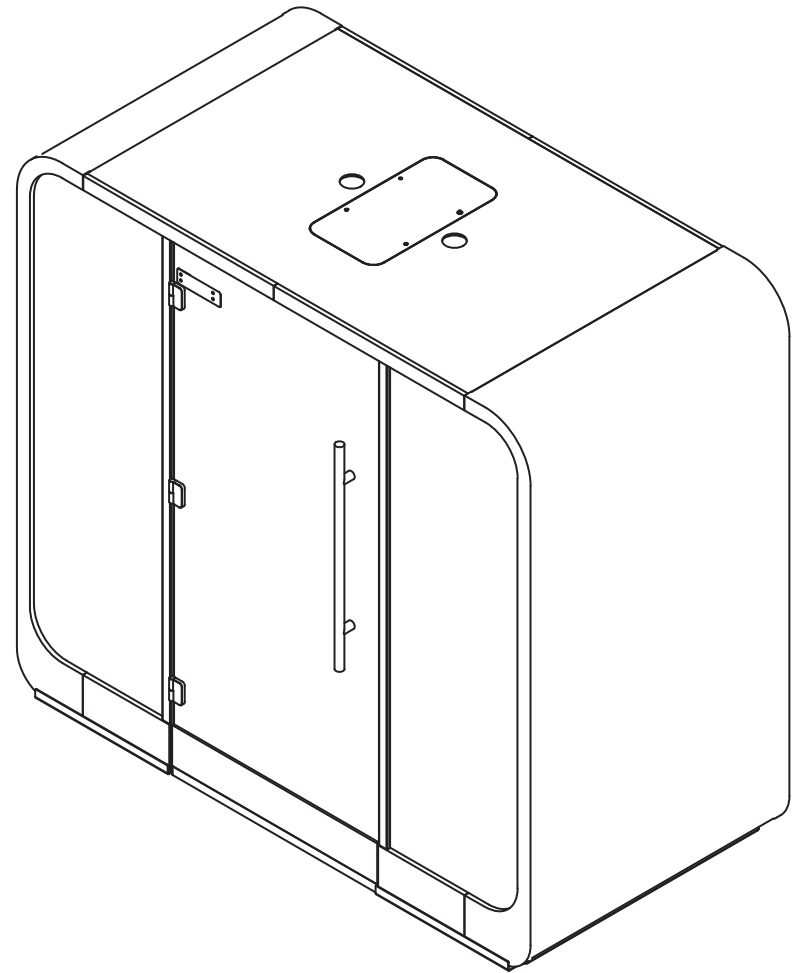
Mount top front caps (A) by aligning clips and pressing downward until fully engaged.

With your Access 1 fully assembled, plug in supplied power cable in rear of base and plug in booth. Allow warm up sequence to run, which will take approximately 2-4 minutes and tests all fans and LEDs one at a time.



STEP 30

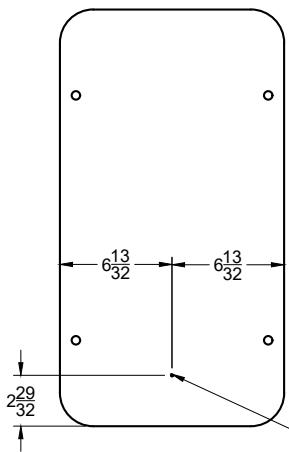
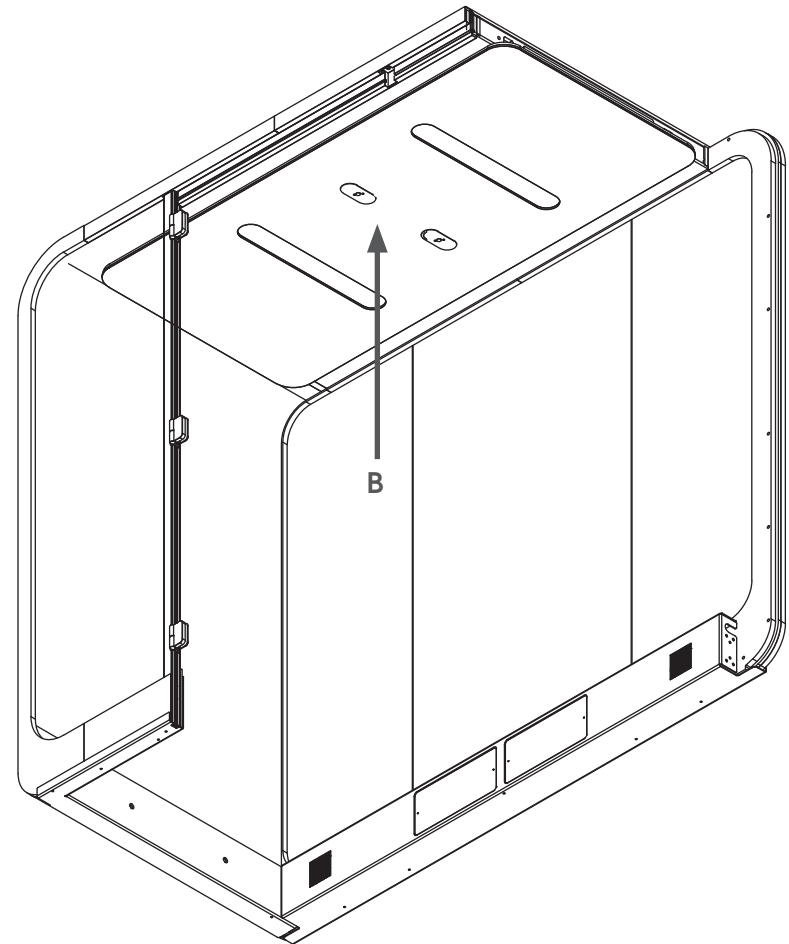
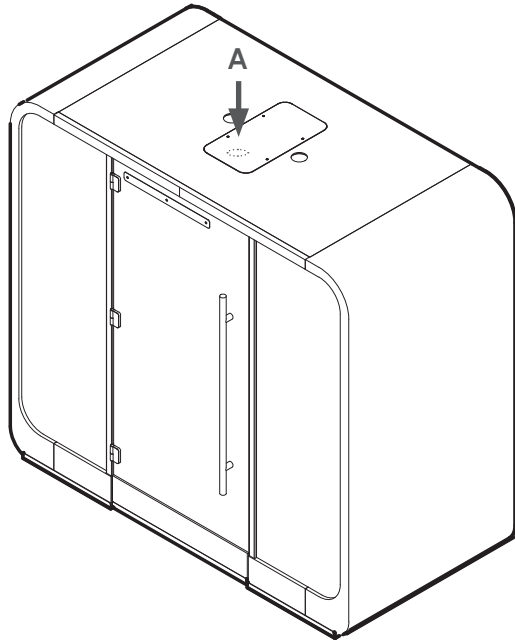
Enjoy your Loop Access 1!



ACCESS 1 – BUILDING INTEGRATED SPRINKLER ALLOWANCE

In an Access1, the sprinkler is installed in the opening not used for the sensor. Remove top cover from the forward module and drill hole to feed through sprinkler piping (A).

Cut out circular section of perforation not used for the sensor and cut side sections so remaining part of cut out can “flap” downward (B). Install as you would in a typical ceiling hole. The cut “flap” can be used to remove the drop ceiling without moving the installed sprinkler.

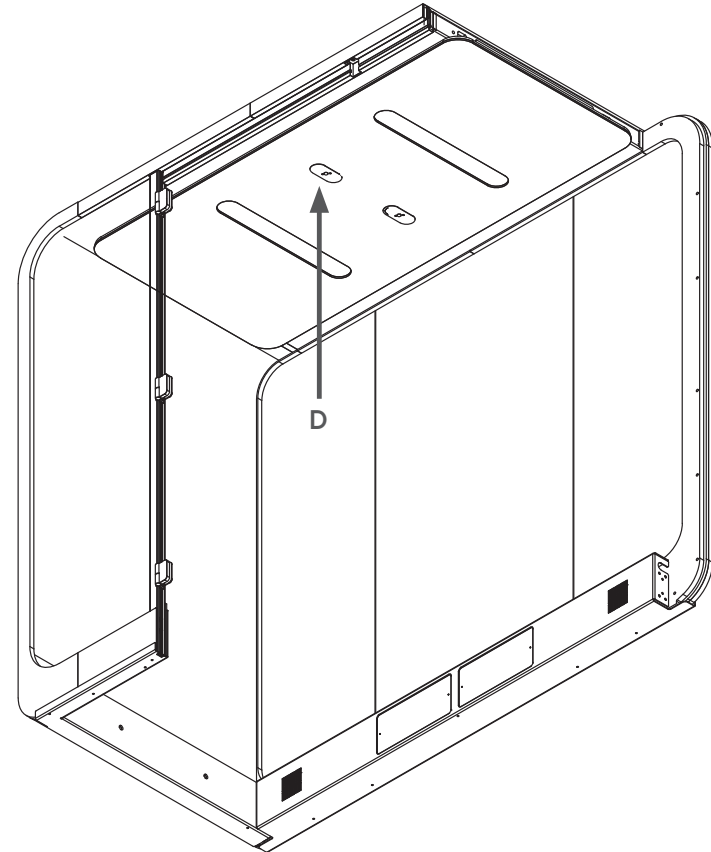
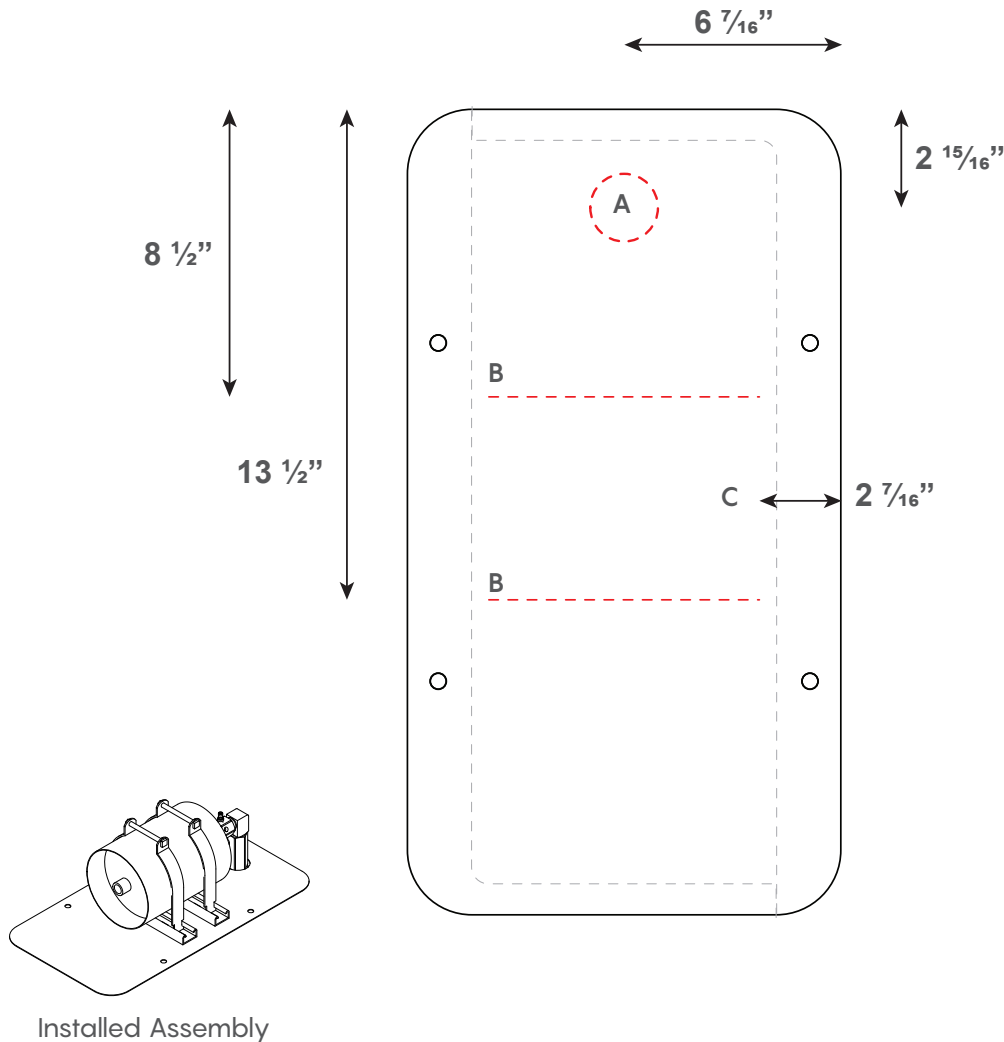


Mark aluminum Top Cover at indicated location to ensure hole is directly above sprinkler knockout in felt ceiling. Drill hole as per your installation needs if connecting to building system. Hole for mounted suppression unit should be 2" diameter.

ACCESS 1 – ISOLATED SYSTEM SPRINKLER ALLOWANCE

In an Access1, the sprinkler is installed in the opening not used for the sensor. Remove top cover from the forward module and drill 2" hole for sprinkler head (A) in indicated location. Retrieve mounting tracks for suppression system and mark/drill four mounting holes on indicated line (B). Note that holes must be more than 2 7/16" from edge to avoid interference with internal framework (C).

Cut out circular section of perforation not used for the sensor and cut side sections so remaining part of cut out can "flap" downward (D). The cut "flap" can be used to remove the drop ceiling without moving the installed sprinkler. Replace top cover with installed sprinkler assembly, feeding sprinkler head through opening in drop ceiling. bend felt flap back into position and install provided grommets around sprinkler head on interior and top cover.



ACCESS INSTALLATION FINE TUNING

Access Installation — fine tuning adjustments.

**requires two persons for most processes

1) Ensure 3/4" x 3/4" "D" profile bubble rubber is engaging the floor along entirety of base (making note that openings between sections will receive supplemental sections of bubble seal to complete the perimeter. Cut and install supplemental bubble rubber in openings, affix to metal base.

2) If there are areas where the bubble rubber is not engaging with the floor, adjust the feet to ensure the bubble rubber engages fully and compresses slightly to create a proper seal. To do this, one individual will need to use leverage to release pressure on threaded foot while the other rotates the foot to further engage it.

3) After ensuring seal engages along full perimeter, use level to do any fine-tuning levelling. This is most important across the gap for the door.

4) Relieving pressure on the base and adjusting feet may have caused the front of the frame to shift, ensure proper spacing for door gap (approximately 38.5"). If you find gap spacing is off, determine which side looks out and lift/shift back into proper spacing position and test door opening/closing to ensure there are no issues.

5) Observe gap on either side of door. It should be equal distance along length on either side, if you find the spacing gets wider or thinner toward bottom, adjust frame as necessary to equalize the gap.

6) If your Access has a hydraulic closer: If the spacing looks appropriate but the door is not closing hard enough to engage seals you will need to adjust the "latch" speed of the door and potentially the "sweep" speed. The latch speed increases the speed/force of door closing in the last few degrees of the swing to ensure enough pressure to seal. This can be adjusted by removing the metal plate above the door closer on the inside of the booth. It is held in place by two magnets and can easily be removed with appropriate leverage. Increase the latch speed by 1/4 turn adjustments and test. If after 3/4 of adjustment it is still not engaging bubble seal properly then increase the sweep speed by 1/4 turns.

The adjustment valves are found on the right side of the hydraulic closer. With it installed, the lower adjustment valve will change the latch speed and the higher valve controls the sweep speed. Turning counter-clockwise will increase the speed.

7) If your Access has an electronic door opener: If the opener has trouble at the start of opening or is not closing fully then the opening at the base of the frame is too small. Determine which side is too tight and adjust as needed.

15) Check to ensure the drop seal trigger is engaging with the trigger plate. The trigger plate is located at the base of the hinge-side extrusion and can be loosened and moved using an allen key. The red trigger on the door base can be extended/retracted by using allen key on the trigger. Note that the trigger does have a point where it will not extend the drop seal any further but can still be extended—DO NOT EXTEND THE TRIGGER PAST THE POINT WHERE THE SEAL IS FULLY ENGAGING. To do this will create issues with door closing fully and could bend/break the trigger.

Important Safety Instructions

When using an electrical furnishing, basic precautions should always be followed, including the following:

Read all instructions before using the Loop Phone Booth.

DANGER To reduce the risk of electric shock:

- Always unplug this furnishing from the electrical outlet before cleaning.
- Only use the electrical cord provided with the product.

DANGER To reduce instability:

- Ensure levelling feet have been engaged on base of booth

WARNING To reduce the risk of burns, fire, electric shock or injury to persons:

- Unplug from outlet before putting on or taking off parts.
- Close supervision is necessary when this furnishing is used by, or near children, invalids, or disabled persons.
- Use this furnishing only for its intended use as described in these instructions. Do not use attachments not recommended by the manufacturer.
- Never operate this furnishing if it has a damaged cord or plug, if it is not working properly, or if it has water damage.
- Keep the cord away from heated surfaces.
- Never operate the furnishing with the air openings blocked. Keep the air openings free of lint, hair, and the like.
- Never drop or insert any object into any opening.
- Do not use outdoors.
- Do not operate where aerosol (spray) products are being used or where oxygen is being administered.
- To disconnect, remove plug from outlet.
- Desk is intended for a maximum load of 150 lbs.

Operating Instructions

1. Plug the female end of the included power cord into the socket in the back of the phone booth.
2. Plug the male end of the included power cord into a wall outlet.
3. If your booth is network enabled, plug standard Cat6 cable into the receptacle at the back of the booth and then into a wall outlet.
4. The Phone Booth fans and lights turn on and off automatically from a motion sensor upon entering and exiting the phone booth.
5. To charge computers, phones, or other electronics, plug them into the power (or USB) receptacle in the desk. Maximum load for the receptacle is 5 Amps. If booth is overloaded, it will trip the breaker on the booth. This breaker can be reset by pushing the reset button located in the grommet at the back of the booth.
6. Enjoy!

User Maintenance

To ensure your booth continues to function properly, perform the required maintenance procedures as outlined below:

- Tighten hinge bolts with allen key approximately 1 week after installation and every 6-8 months following to ensure there is no shifting of the door from repeated use.
- Every 6-8 months, use compressed air and blow into the lower rear and upper fans from the exterior of the booth. This will clear off any dust buildup. Following this procedure, clean the interior of the booth with a vacuum and/or damp cloth.

Limitation of Liability

In no event shall Onetwosix Design, nor its directors, employees, partners, agents, suppliers, or affiliates, be liable for any indirect, incidental, special, consequential or punitive damages, including without limitation, injury, loss of profits, goodwill, or other intangible losses, resulting from (i) incorrect installation, (ii) inability to adhere to safety and operating instructions, and (iii) failure to consult engineer to confirm proper seismic installation procedure.

Loop Phone Booths

User Maintenance Instructions and Schedule

Regular Maintenance (Weekly)	Instructions
Cleaning of vinyl upholstery	Page 1-4
Cleaning of cloth upholstery	Page 5
Cleaning of Laminate exterior/interior	Page 5
Cleaning of felt upholstery	Page 6
Cleaning of Glass and frosted vinyl cleaning	Page 8
Cleaning of PET Felt Interior Ceiling and/or Back Panel	Page 8
Preventative Maintenance (Every 2-3 months)	
Tightening Hinge Bolts	Page 9
Check handle placement, the screws on interior can be loosened, handle can be moved if necessary (if it is hitting the door stop plate/etc.)	Page 9
Checking alignment of door	Page 9
Performance Maintenance (Every 6 months)	
Blow out dust buildup in fans and ducting (Following blowing out of dust, clean interior and exterior)	Page 10

Cleaning of vinyl upholstery

Maintenance Code

Regular Maintenance

W/B-Clean with water-based cleanser or diluted household bleach.

Vacuum regularly using the proper attachment to avoid pilling. For non-woven textiles, wipe regularly with damp, clean, soft, white cloth or natural sponge.

General Recommendations

Treat stains promptly. The longer a stain remains on the textile, the more difficult it will be to remove. A professional furniture cleaning service is recommended.

Always pre-test any cleaning method in an inconspicuous area.

Several light applications of a cleaning agent are less harmful than a single concentrated application. Repeat stain treatment several times if necessary.

Never use heat to clean textiles. Heat can set stains.

Do not use solvent-based cleaning agents such as lacquer thinners, nail polish remover, or pine oil. These agents may cause discoloration over time.

Do not over saturate the textile or let water pool in seams.

Stain Treatment

Soak up any excess moisture immediately.

For oil and water-based stains, use a clean, soft, white cloth, a natural sponge, or a nylon soft-bristle brush with luke warm, soapy water. Brush the stain with light, quick strokes. Avoid a scrubbing motion and work from the edge of the stain toward the center.

For tougher oil-based stains, confirm the construction of your textile is bleach cleanable. If so, and additional stain treatment is needed, use a 10% solution of diluted household bleach. Thoroughly rinse with cool, clean water to remove any residue.

For ink stains on ink resistant non-woven textiles, a 91% solution of isopropyl alcohol may also be used. Thoroughly rinse with cool, clean water to remove any residue.

For solid stains (e.g. mud) allow the stain to dry thoroughly and gently break up any hardened areas. Use a nylon, soft bristle brush to remove all loose particles.

For insoluble stains (e.g. chewing gum, candle wax, etc.), use a plastic bag filled with ice to rub the stain until the substance becomes brittle. Use a clean, dull, flat knife to gently remove the substance. If the stain persists, blot the area with a clean, soft, white cloth or natural sponge and lukewarm soapy water.

For blood and bodily fluid stains, follow the oil-based stain treatment above.

If the stain persists, gently dab a pH-neutral cleanser, upholstery spot cleaner, or an equal mixture of water and enzyme detergent (e.g. laundry detergent) on the stain and let it sit for one minute.

Rinse stain treatment thoroughly with a natural sponge moistened slightly with cool, clean water and completely remove all cleaning solution residue as left over residue can attract soil over time.

Extra care should be taken when cleaning dark colors of woven textiles to avoid creating light marks that can be caused by color transfer.

Avoid excess rubbing in order to prevent discoloration and damage to the face of the material. Do not saturate the surface.

For woven textiles, allow the textile to dry thoroughly and vacuum before using.

Healthcare Recommendations

Healthcare facilities should follow safety protocols for biological hazards and/or anti-viral treatments during the cleaning process.

Always pre-test in an inconspicuous area before cleaning. After cleaning, rinse repeatedly with cool, clean water to ensure complete removal of all cleaning solution residue. Left over residue can discolor over time.

For a complete list of approved hospital grade cleansers, contact your sales representative.

Notes

The information above is a guide to help in the maintenance of Loop textiles. Loop can neither guarantee, nor take responsibility for specific results.

Under no circumstances shall Loop Phone Booths be liable for any incidental, consequential, or other damage resulting from negligence, misuse, mishandling, or exposure of any chemicals used in connection with maintenance. Information relating to chemicals/cleaning solvents, environmental use, and human exposure should be reviewed with appropriate suppliers. All label instructions on their use and precautions should be followed.

Approved Cleaners

3M	Johnson Wax	Virox Technologies
3M General Purpose Cleaner Concentrate	Virex Tb	Accel Tb Wipes
3M HB Quat Disinfectant Cleaner RTU		Rescue Sporidical Gel / Liquid / Wipes
3M HB Quat Disinfectant Cleaner Concentrate	Kay Chemical Company	Virox 5
3M Neutral Cleaner Concentrate	Kay Chemical Company	
		Wexford Labs
Avmor Ltd	Medline Industries	Wex-Cide 128
Biomor Cleaner and Deodorizer	Micro-Kill Bleach Cermicidal Bleach Wipes	
Biomed Protect	Metrex Research	
Peridox RTU	CaviCide	
	CaviCide 1	
Biotrol	CaviCide Surface Disinfectant / Decontaminant	
Birex SE	C	
	CaviWipes	
Caltech Industries	CaviWipes 1	
Dispatch	CaviWipes XL	
Clorox Professional Products Compan	PDI	
Citrace Hopsital Germicide	Sani-Cloth Af 3 Germicidal Disposable Wipes	
Clorox Healthcare Citrace Hospital	Sani-Cloth Bleach Germicidal Disposable Wipe	
Disinfectant	Sani-Cloth HB Germicidal Wipes	
Clorox Hydrogen Peroxide Disinfectant Wipe	Sani-Cloth Plus Germicidal Disposable Cloth	
Clorox Hydrogen Peroxide Disinfecting Cleaner	Super Sani-Cloth Germicidal Disposable Wipe	
Diversey	RML Rochester Midland Limited	
Accel Prevention Concentrate	Proxi Spray and Walk Away	
Accel Prevention Wipes		
Expose II 256	Reckitt Benckiser	
Oxivir	Lysol Advanced Disinfecting Wipes	
Oxivir Five 16 Concentrate		
Diversey, Inc - Canada	SciCan	
Oxivir Tb RTU	OPTIM 33TB Wipes	
Oxivir Tb Wipes		
Virex II 256	Steris	
Virex Plus	Coverage Plus Germicidal Surface Wipes	
Ecolab	The Clorox Company	
Asepticare TB+II	Clorox Healthcare Bleach Germicidal Cleaner	
Ecolab Inc	Clorox Healthcare Bleach Germicidal Wipes	
Oasis 146 Multi-Quat Sanitizer		
OxyCide Daily Disinfectant Cleaner	Various	
	1:10 Solution of Diluted Household Bleach	

Note: After cleaning, rinse repeatedly with cool, clean water to ensure complete removal of all cleaning solution residue. Left over residue can damage the textile over time.

Stain Test Report

Each stain is cleaned with a water-based cleanser after five minutes and 24 hours. One stain is left untouched as a comparison control.

After each test site is cleaned and dried, the remnants of the stain are evaluated and rated in accordance with the AATCC Stain Release Evaluation Procedure.

Rating System

5 - Complete removal

4 - Good, traces of stain remain

3 - Moderate, 75% of stain removed

2 - Fair, 50% of stain removed

1 - Poor, less than 50% of stain removed

Type	Rating 1 hr	Rating 24 hrs
Ballpoint Ink *	5	5
Black Coffee	5	5
Blood	5	5
Chocolate	5	5
Cola	5	5
Iodine	3	1
Ketchup	5	5
Mayonnaise	5	5
Mustard	5	5
Red Lipstick	5	3
Red Wine	5	5
Salad Oil	5	5
Sharpie / Permanent Marker *	5	5
Shoe Polish	5	3
Suntan Lotion	5	5 **
Urine	5	5

* Ink was cleaned using a 91% solution of isopropyl alcohol.

** Surface bubbling/ blistering

Cleaning of cloth upholstery

Maintenance Code

W/S-Clean with water-based cleanser or mild, water-free dry cleaning solvent.

Regular Maintenance

Vacuum regularly using the proper attachment to avoid pilling.

General Recommendations

Treat stains promptly. The longer a stain remains on the textile, the more difficult it will be to remove. A professional furniture cleaning service is recommended.

Always pre-test any cleaning method in an inconspicuous area.

Several light applications of a cleaning agent are less harmful than a single concentrated application. Repeat stain treatment several times if necessary.

Never use heat to clean textiles. Heat can set stains.

Do not use agents containing bleach. These agents may cause discoloration over time.

Do not over saturate the textile or let water pool in seams.

Stain Treatment

Soak up any excess moisture immediately.

For water-based stains, use a clean, soft, white cloth, a natural sponge, or a nylon soft-bristle brush with lukewarm, soapy water. Brush the stain with light, quick strokes. Avoid a scrubbing motion and work from the edge of the stain toward the center.

For oil-based stains, use a clean, soft, white cloth, a natural sponge, or a nylon, soft-bristle brush with a water-free dry cleaning solvent. Brush the stain with light, quick strokes. Avoid a scrubbing motion. Work from the edge of the stain toward the center.

For insoluble stains (e.g. chewing gum, candle wax, etc.), use a plastic bag filled with ice to rub the stain until the substance becomes brittle. Use a clean, dull, flat knife to gently remove the substance. If the stain persists, blot the area with a clean, soft, white cloth or natural sponge and lukewarm soapy water.

If the stain persists, gently dab a pH-neutral cleanser, upholstery spot cleaner, or an equal mixture of water and enzyme detergent (e.g. laundry detergent) on the stain and let it sit for one minute.

Rinse stain treatment thoroughly with a natural sponge moistened slightly with cool, clean water and completely remove all cleaning solution residue as left over residue can attract soil over time.

Extra care should be taken when cleaning dark colors to avoid creating light marks that can be caused by color transfer.

Avoid excess rubbing to prevent discoloration and damage to the face of the material.

Do not saturate the surface.

Allow the textile to dry thoroughly and vacuum before using.

Approved Cleaners

Any

Citric Acid (5%) Denatured Alcohol (Ethanol)

Hydrogen Peroxide (7%) Isopropyl Alcohol (91%)

Various

Water- Based Or Solvent Based Cleaners

Cleaning of felt upholstery

Regular cleaning is important in order to keep the upholstery textile looking its best and to prolong its life. Dust and dirt wear down the textile and also reduce its fire-retardant properties.

Normal cleaning

1. Vacuum frequently, ideally every week. Velour/chenille fabrics should be vacuumed in the direction of the nap. It is important to use a suitable mouthpiece for upholstery fabrics.
2. Remove stains as soon as they occur
3. Extraction clean when necessary

Stain removal

Act quickly Soak up liquids with an absorbent napkin or cloth Scrape off hardened stains with spoon or dull knife. Any loose particles must be vacuum cleaned.

Use a sponge or white cloth wrung in clean warm water to remove the remaining stain. Regular sparkling water can also be used as the sparkles dissolves the dirt. Shake the bottle for a higher effect.

Do not over saturate the textile. Edge marks can be avoided by dabbing gently in circular motions towards the center of the stain and/or blow-drying it carefully on low speed.

Remove greasy stains by using an appropriate stain removal agent or solvent like white spirit/turpentine or benzine. Always follow the dosage recommended by the manufacturer.

In all cases, we recommend to test stain-removal agents on an inconspicuous area first, to see if there is any effect on the cover.

Make sure to let the fabric dry fully before use.

Above guideline is purely recommendations and cannot guarantee complete stain removal. In all cases, we recommend to contact a professional dry cleaner. It is important to state whether the stain has already undergone treatment.

Divina family

Removing stains from textiles in the Divina family can be difficult, as the fabric is being pressed after milling in order to achieve the felt-like surface. Particularly on new woolen covers, the fibers will slightly rise when the fabric becomes moist. The moist area will appear darker. The darker area cannot be removed by pressing the textile but will be reduced by spraying water over the entire furniture piece and will also be even out during use.

Extraction cleaning/carbonated cleaning

Extraction cleaning/carbonated cleaning is meant for major deep cleaning to be performed only when necessary. pH neutral carbon dioxide solutions are recommended as soap should not be used. It is important to use a suitable mouthpiece for upholstery fabrics as extraction cleaning is useable for both upholstery and carpets

Make sure to let the fabric dry fully before use.

If the textile is glued attention must be paid to the temperature of the cleaning agent, max. 55-60°C is recommended. It is also important to avoid excess use of cleaning fluid, do not saturate the textile. If the fabric is very dirty it might be necessary to repeat cleaning.

We do not recommend a steam cleaner as the steam will force dirt deeper into the textile and will move up to the surface later.

Due to excess dye in jeans, dark jeans may leave stains on textiles; cleaning may not always lead to satisfying results.

Disinfection

Before disinfecting any textile, it should be thoroughly cleaned as recommended above. We recommend the following procedures to disinfect a Kvadrat textile:

Alcohol-based disinfectants / surgical spirit can be used without damaging the textile or changing the colour. Concentration should be between 70-85%.

Steam can be used for disinfecting however be aware that textiles must be exposed to steam for min. 2 min. Water based glue might therefore be dissolved.

Avoid household bleach and chlorine based cleaners

Polyester and Trevira CS

Alcohol-based disinfectants / surgical spirit can be used without damaging the textile or changing the colour. Concentration should be between 70–85%.

Household bleach and chlorine based cleaners can be used without damaging the textile. Concentration should be 1000 – 1200 ppm. Ready-to-use sanitizers, spray or wipes can also be used. It is recommended to rinse with clean water after disinfection.

Bleach disinfectants can be used without damaging the textiles. Use a 5% bleach concentration, mix 1 part bleach to 10 times water. It is recommended to rinse with clean water after disinfection.

Steam can be used for disinfecting however be aware that textiles must be exposed to steam for min. 2 min. Water based glue might therefore be dissolved.

Upholstery textiles made of polyester including Trevira CS can be washed in temperatures up to 80 degrees Celsius. Be aware of increased shrinkage.

Warning – do not rub the material hard because this could result in loss of colour or potentially damage the surface.

Be careful when using solvents; these could dissolve the padding beneath. Never use concentrated detergents or bleach, ammonia or soap intended for hard surfaces.

Cleaning of Laminate Exterior/Interior

Clean interior laminate (and exterior laminate) using a clean, damp, non-abrasive cotton cloth and a mild liquid detergent or household cleaner. Do not flood the laminate, especially near seams, since water can penetrate and cause the substrate to swell. Dry the surface with a soft, clean, non-abrasive cotton cloth. Do not use abrasive pads, scouring pads, or chemical cleaners as they may permanently dull and scratch the laminate surface making it susceptible to staining.

Never use cleaners containing acid, alkali, or sodium hypochlorite. These cleaners will mar, etch, corrode, and permanently discolor the laminate surface. Also, make sure that bottles, rags, and other materials contaminated with these cleaners never contact the laminate surface. Accidental spills or splatters from these compounds should be wiped off immediately, and the area rinsed thoroughly with water. Examples of cleaners containing acid, alkali, or sodium hypochlorite include, but are not limited to: ceramic cooktop cleaners, oven cleaners, chlorine bleach, rust removers, coffeepot cleaners, some countertop cleaners, drain cleaners, some disinfectants, lime scale removers, toilet bowl cleaners, metal cleaners, and tub / tile cleaners. To remove or minimize stains, use full strength Fantastik® All Purpose Cleaner, Formula 409®, Pine-Sol® (original formulation) or other mild household cleaner on the affected area, and allow it to draw out the stain. Blot with a clean, damp, non-abrasive cotton cloth, and then rinse with clean water.

When a recommended cleaner changes its formulation, the change may be harmful to the laminate surface. We cannot be held responsible for these changes. Solvents such as denatured alcohol can also be used. Follow all directions and warnings on the solvent label because many are extremely flammable.

Disinfecting Laminate Exterior/Interior

Disinfect laminate exterior and interior using the following

Quaternary Ammonium (Clorox disinfecting wipes, Lysol, Virex, Cavi Wipes)

Alcohols - Isopropanol, Ethanol (Purell professional surface disinfecting wipes)

Sodium Hypochlorite - Bleach (Clorox healthcare bleach germicidal wipes, Ultra Clorox regular bleach 8.25%, Cavi Wipes)

Hydrogen Peroxides (Clorox commercial solutions hydrogen peroxide cleaner disinfectant, Oxivir, Accel)

Cleaning of Wood Veneer Exterior

Dust regularly with a slightly damp, soft, lint-free cloth to remove dust, fingerprints, etc. Wipe dry with a dry soft cloth in the direction of the wood grain. Once per month, it is recommended to clean the surface with a quality, water-based cleaner formulated for wood furniture. Always test the cleaner in an inconspicuous area prior to applying to the whole surface. Prior to applying wood cleaner, wipe the surface to remove dirt and fingerprints with a clean, dry cloth. For minor scuff repair, a repair kit is available for purchase through ONETWOSIX Design Inc. For deeper scratches, it is recommended to contact a professional furniture re-finisher.

Cleaning of Glass and Frosted Vinyl

Clean glass with mild, non-abrasive interior glass cleaning solution, such as Windex® and wipe with a clean non-abrasive cotton cloth. The cleaning solution should be a PH range of 3 to 11 (within mild acid and mild alkaline units). The cleaning solution should be free of strong solvents. Avoid unnecessary scrubbing on frosted vinyl while being careful not to lift film edges.

Cleaning of PET Felt Interior Ceiling and / or Back Panel

For cleaning the PET Felt the steps should be (1) dust with a lint roller, (2) vacuum with a clean, soft brush, (3) clean with water and mild detergent, (4) clean with chemical spot remover. Always test any cleaning method first in an inconspicuous area. It is always a good idea to use the lint roller first in any area intended to be spot cleaned. Once per year, it is recommended that the entire surface is given a light vacuum. In a clean office environment, it may not be necessary to do this annually. Please note that slight shedding of PET felt fibers is normal and not indicative of any defect. These loosened fibers are easily vacuumed away and will decrease over time. If a wet spill should occur, blot up the liquid as soon as possible with a dry cloth to avoid absorption. Avoid aggressive rubbing as this can damage the PET felt and change the surface appearance.

For removal of minor stains, Because this material is made from synthetic fibres it cleans very well with virtually no damage to the colors of construction itself, a mild enzyme-based detergent (such as Tide Free) is recommended. Create a dilute solution by adding three parts water to one part detergent in a clean container. Use a clean paper towel to gently blot the detergent into the stain. Press and release, press and release. Using a separate container of just clear water, use clean, moist paper towels to blot more water into the stain. Press and release, press and release. Finish by blotting firmly with clean, dry paper towels until the area is nearly dry. Be sure to test in an inconspicuous area first.

Door alignment

Check the alignment of the doors on the booths. If the door is loose or not closing properly follow the instructions below.

Needed:

- 2 people
- Torque wrench with 4mm allen key
- 4mm allen key
- Putty knife (might not be necessary)



1. Loosen 2 bolts only on door side. Loosen until you have movement.



2. If the gaskets are stuck to the glass carefully pop hinge loose with a putty knife



3. Lift/push the door towards the seal as much as you can. Tighten bolts to 72 inch pounds while applying this pressure.

If you still have a gap repeat the same steps but with the other half of the hinge (static glass side).

Also having a second person to apply pressure while someone else loosens/tightens the bolts might have more success.

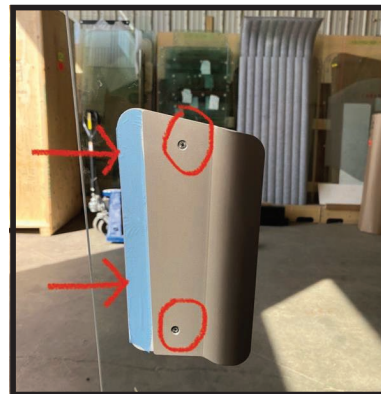
This method also applies to the Cube and Access doors.

Hinge tightening and handle adjustment



Tightening door hinge bolts

Using a torque wrench with a 4mm allen key Tighten bolts to 72 inch pounds



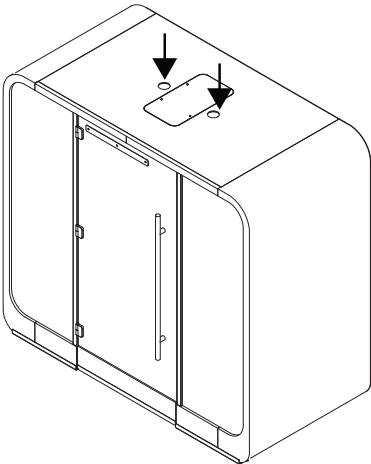
If door handle is hitting door stop:

Loosen 2 phillips screws and push handle towards the middle of the booth. Tighten screws.

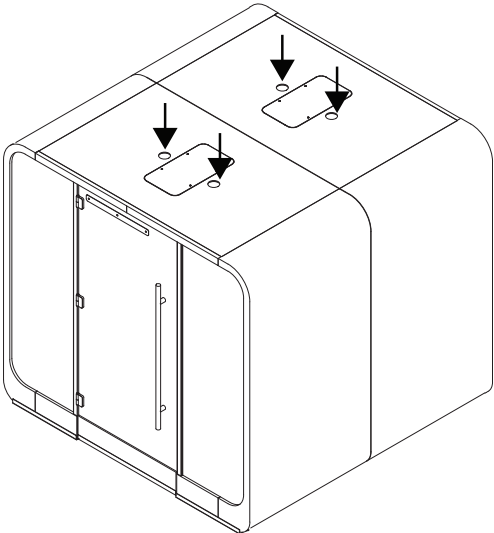
Fan & Ducting Cleaning

Make sure to power off the booths before cleaning the fans. Use compressed air and blow into the lower rear and upper fans from the exterior of the booth. This will clear off any dust buildup. Following this procedure, clean the interior of the booth with a vacuum and/or damp cloth.

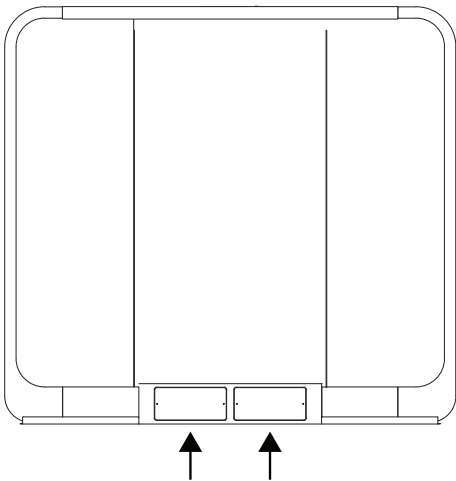
Access 1 outer fan locations



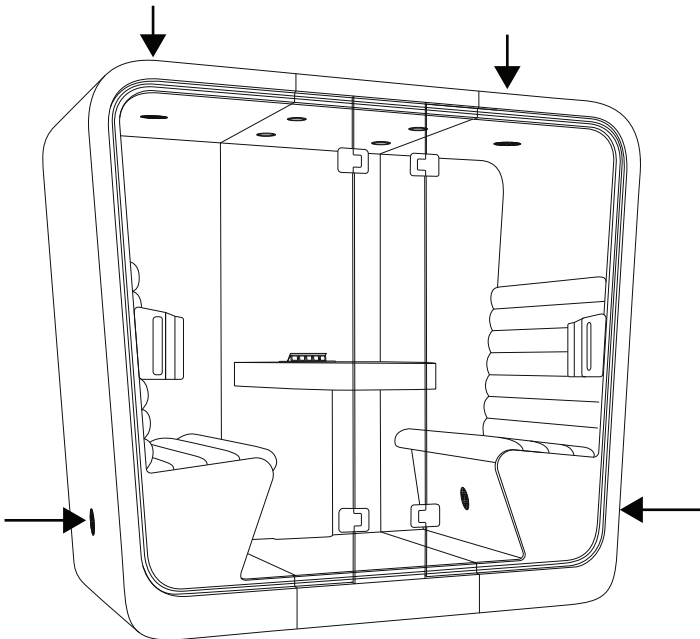
Access 2 outer fan locations



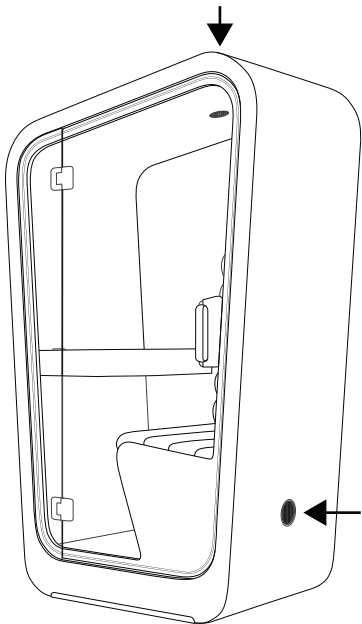
Backside of Access 1 & 2



Cube outer fan locations



Solo outer fan locations



Loop

12914 146 St. NW Edmonton, Alberta, Canada T5L 2H7

www.loopphonebooths.com | info@loopphonebooths.com